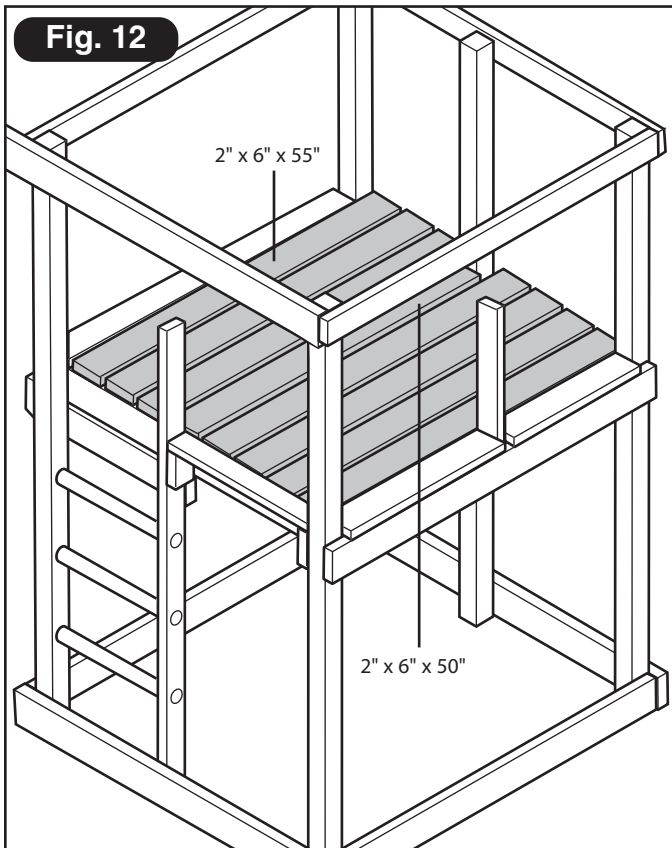


**D. Railing Assembly**



1. Position two 2 x 4 x 32-1/2" railing supports on the deck as indicated in Fig. 13. Boards should be flush with the edges of the 4 x 4 posts and ladder apron and the bottom 2 x 4 x 32-1/2" should be even with the deck board. **NOTE:** The top of the upper rail should be approximately 30" from the bottom of the lower rail. Attach the rail supports to the deck using four 1 1/4" D galvanized nails per 4 x 4 joist and two 1 1/4" D galvanized nails per 2 x 4 joist.

2. Position two 2 x 4 x 30-1/4" railing supports on the deck as indicated in Fig. 13. Boards should be flush with the edges of the 4 x 4 posts and rail apron and the bottom 2 x 4 x 32-1/2" should be resting on the deck board. **NOTE:** The top of the upper rail should be approximately 30" from the bottom of the lower rail. Attach the rail supports to the deck using four 1 1/4" D galvanized nails per 4 x 4 joist and two 1 1/4" D galvanized nails per 2 x 4 joist.

3. Position two 2 x 4 x 5" railing supports on the deck as indicated in Fig. 13. Boards should be flush with the edges of the 4 x 4 posts and the bottom of the lower 2 x 4 x 5" should be at the same height as the top of the deck board. **NOTE:** The top of the upper rail should be approximately 30" from the bottom of the lower rail. Attach the rail supports to the deck using four 1 1/4" D galvanized nails per joist.

4. Position two 2 x 4 x 70" railing supports on the deck as indicated in Fig. 13. Boards should be flush with the edges of the previously attached rail supports and the bottom 2 x 4 x 70" should be resting on the deck boards. **NOTE:** The top of the upper rail should be approximately 30" from the bottom of the lower rail. Attach the rail supports to the deck using four 1 1/4" D galvanized nails per joist.

