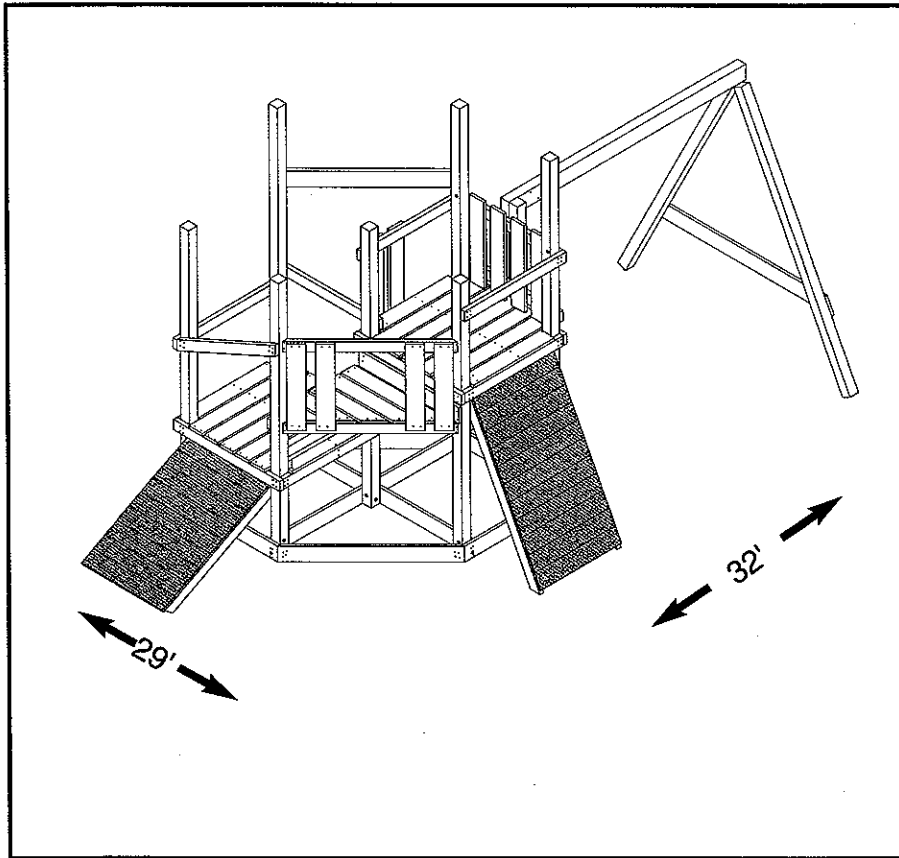


EuroCastle Standard Design: Materials Required



Building Time (x2 People)	12-16 hrs.
No. of Children	Up to 10
Minimum Use Zone	32' x 29'
Set Dimensions	9' W x 19' L x 11' H

Tiempo de construcción (dos personas)	12 a 16 horas
Nº de niños	Hasta 10
Zona mínima de uso	32' x 29'
Dimensiones del juego	9' ancho x 19' largo x 11' alto

MATERIALS REQUIRED for Standard Design

- (2) 5/4" x 6" x 8'
- (12) 5/4" x 6" x 10'
- (5) 5/4" x 6" x 12'
- (5) 2" x 4" x 8'
- (5) 2" x 4" x 10'
- (2) 2" x 4" x 12'
- (1) 2" x 6" x 10'
- (7) 4" x 4" x 8'
- (3) 4" x 4" x 10'
- (1) 4" x 6" x 8'
- OR
- (2) 2" x 6" x 8'

