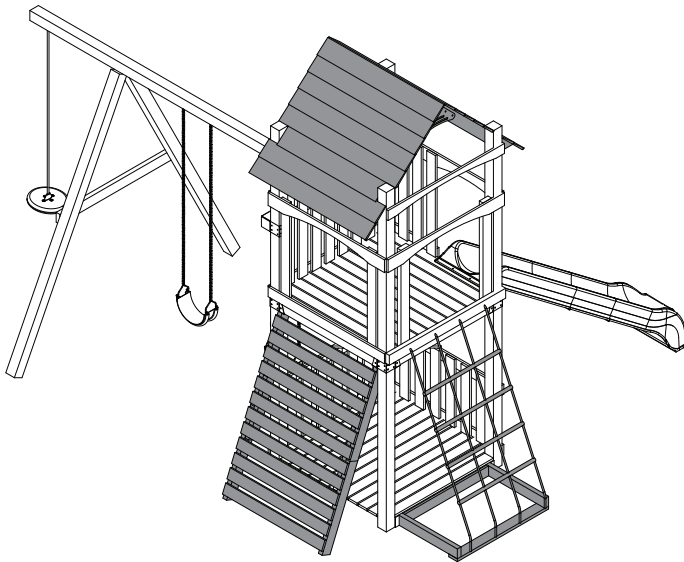




We Put Kids First.

Cimarron/Tuscany/ Sierra Vista Addendum



ATTENTION: READ THIS PLAN FIRST

Your Cimarron based Unit Differs From the PB 9228 Plan in three distinct ways. The Roof is turned 90°, the Rock Wall is on the back and the Pirate's Ladder is on the side. This Addendum will guide you on how to adapt your unit to these changes.

Unit Specific Pages:

Cimarron	pgs. 1-5
Tuscany	pgs. 1-9
Sierra Vista	pgs. 1-6 & 10-11

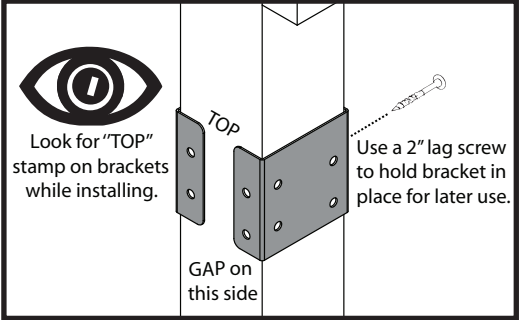
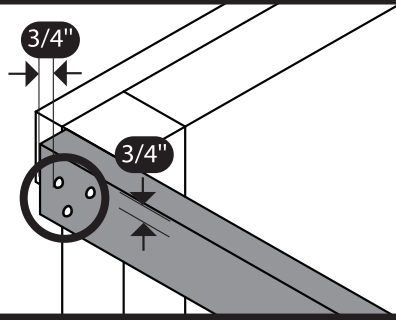


check out <http://www.swing-n-slide.com/planupdates.htm> for updates to these instructions.

ASSEMBLY INSTRUCTIONS

Swing•N•Slide • 1212 Barberry Drive • Janesville, Wisconsin 53545
Visit our web site at: www.swing-n-slide.com or call us at 1-800-888-1232

•WARNING•
Avoid splitting your lumber by offsetting your screws at least 3/4" from edge.



Plan Alterations: Applies to Cimarron, Tuscany and Siera Vista.

PB 9228 Page 13, Figure 4:

Note: For proper setup of your unit, please follow these steps instead of the corresponding ones in your PB 9228 Plan.

1. Using two (2) 4" x 4" x 120" boards from page 12, construct frame as shown in **(Fig. 3)** and **(Fig. 4)**.
2. Install lag screws at each corner location as shown in **(Fig. 4a)**.

Fig. 4a

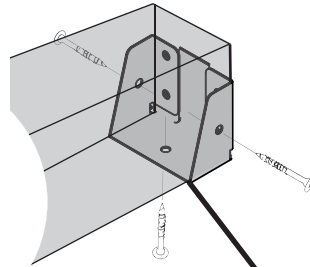
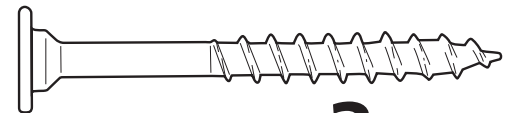
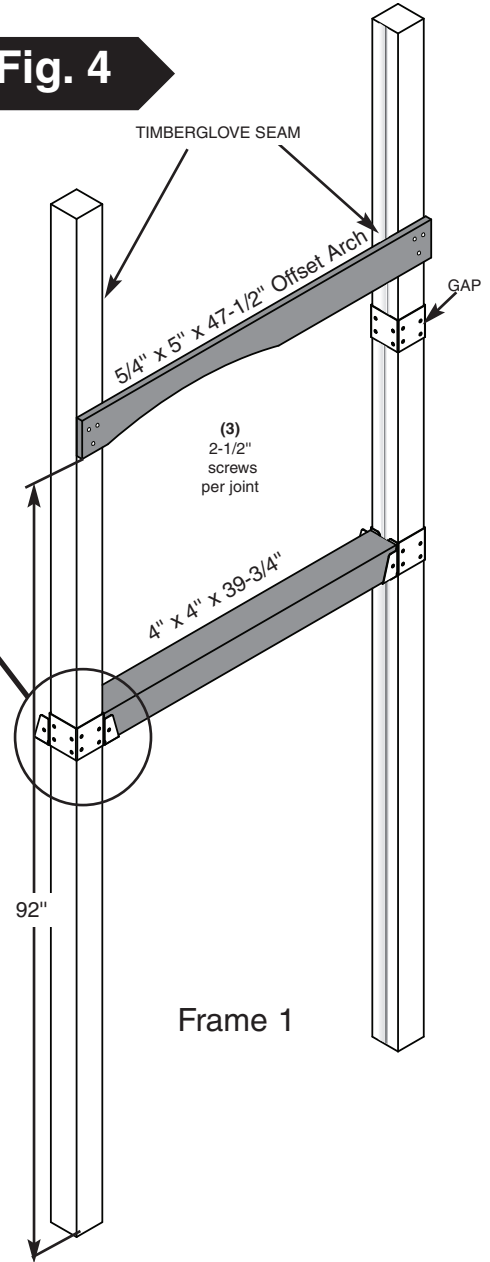
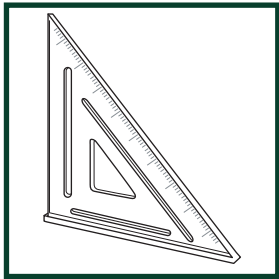


Fig. 4

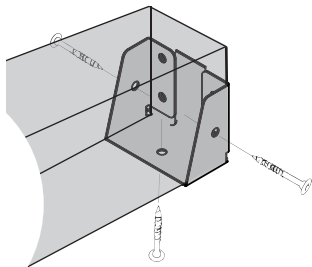
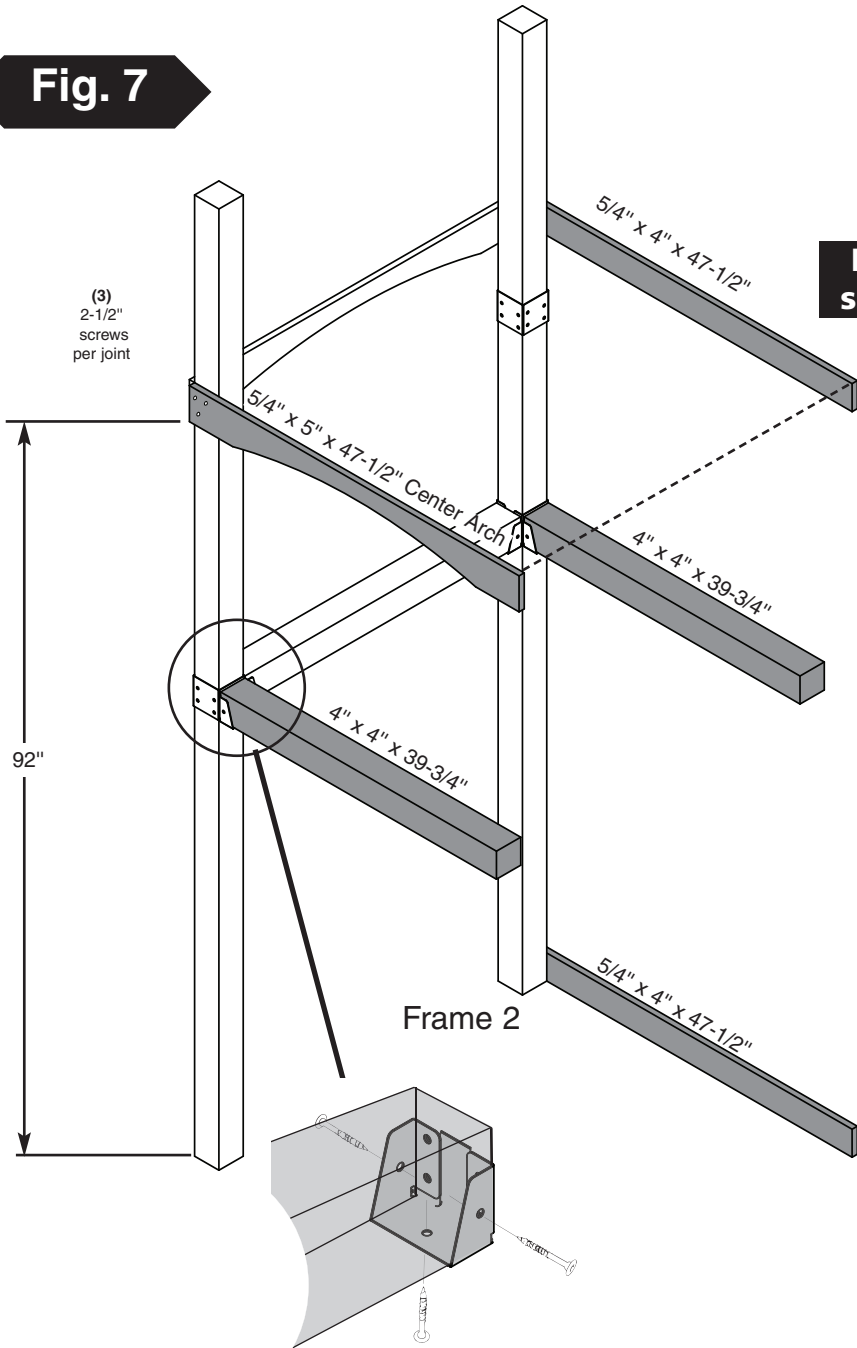


x 3

Fig. 7



Double check to make sure structure is square



2-1/2" screw

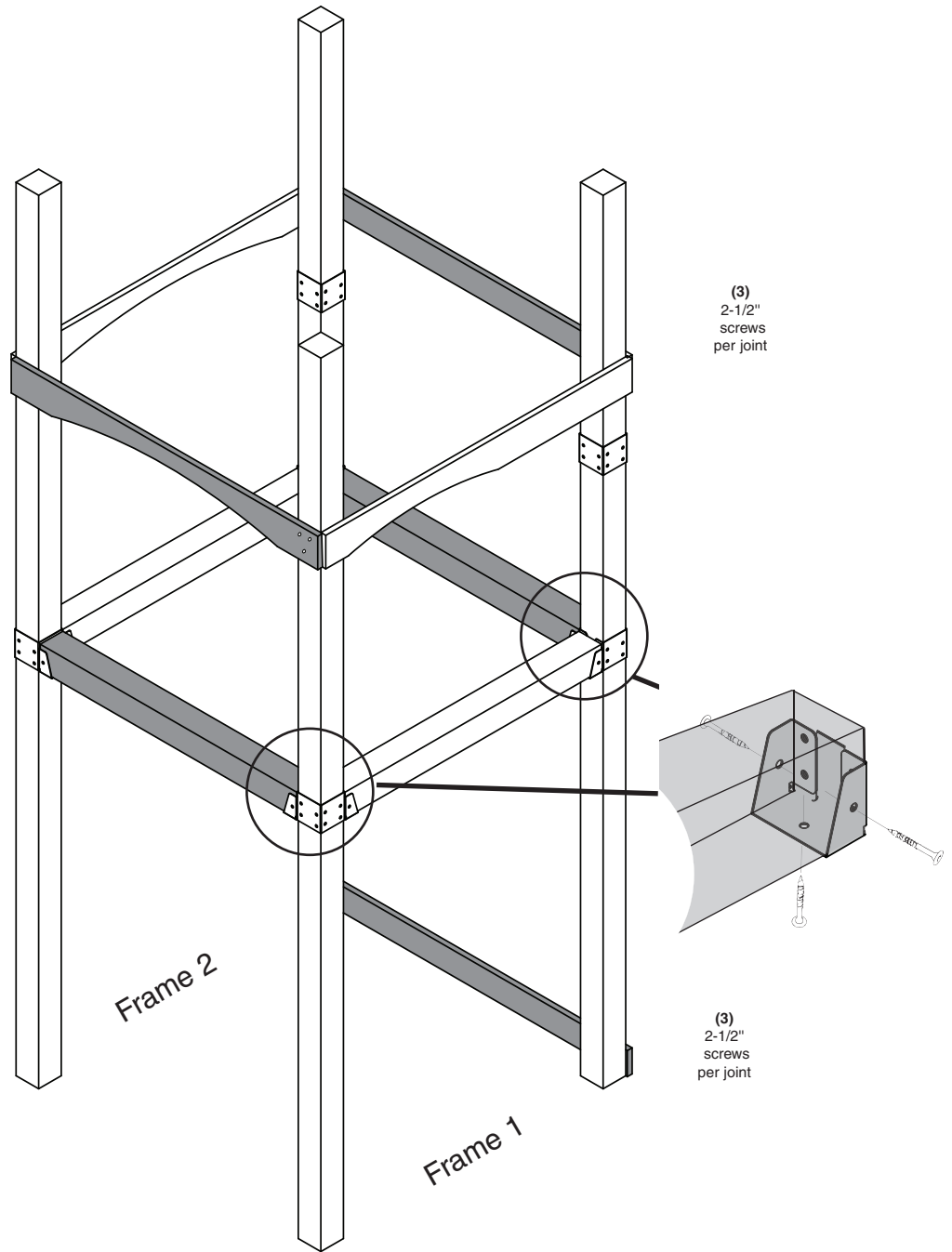


PB 9228 Page 15, Figure 7:

Note: For proper setup of your unit, please follow these steps instead of the corresponding ones in your PB 9228 Plan.

1. Install 5/4" and 4" x 4" boards as shown in **(Fig 7)**.

Fig. 8



PB 9228 Page 16, Figure 8:

Note: For proper setup of your unit, please follow these steps instead of the corresponding ones in your PB 9228 Plan.

1. Install Frame 1 as shown in **(Fig. 8)**.

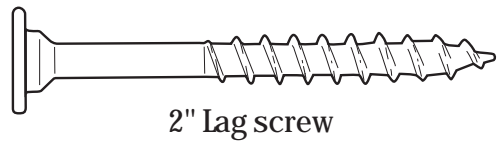
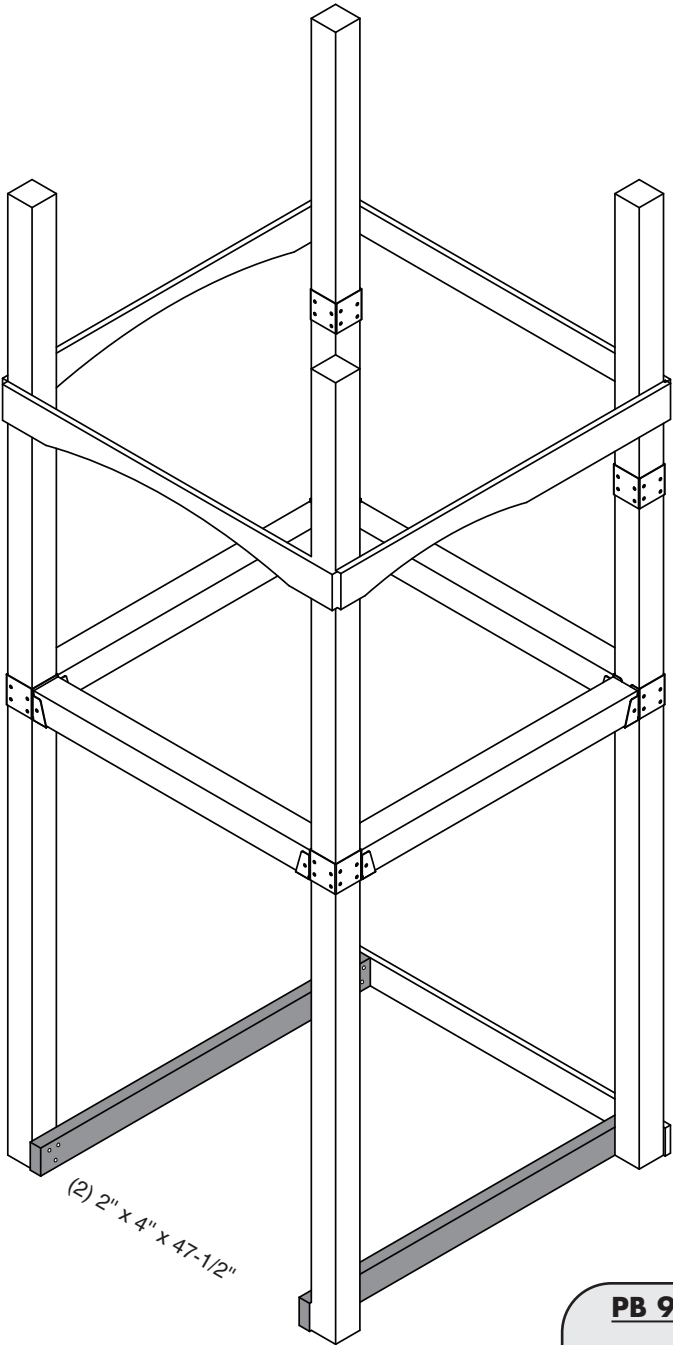


Fig. 9



2-1/2" screw

PB 9228 Page 17 Figure 9:

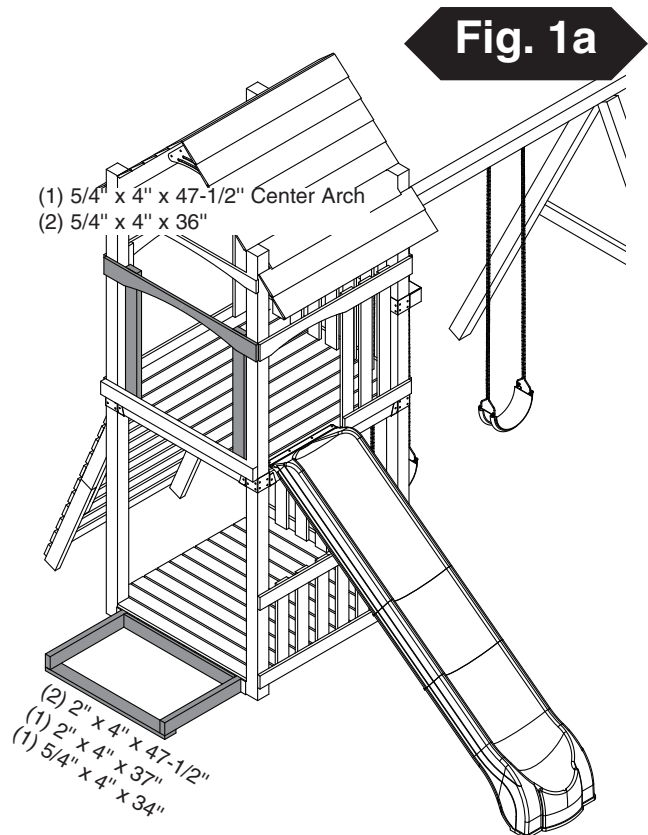
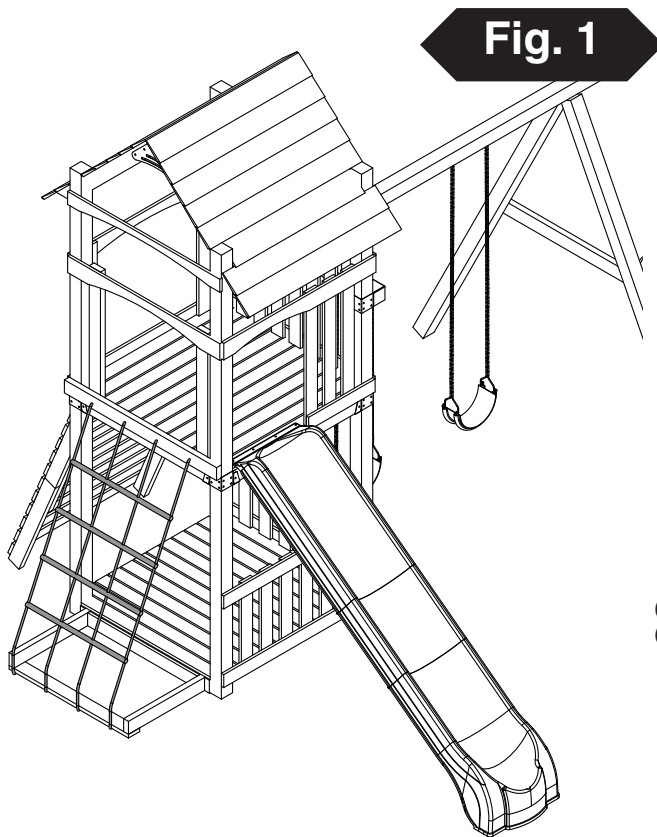
Note: For proper setup of your unit, please follow these steps instead of the corresponding ones in your PB 9228 Plan.

1. Install 2" x 4" supports as shown in **(Fig. 9)**.

Note: Follow **PB 9228** from **page 18** on keeping in mind that the Rock Wall, Pirate's Ladder and Wood Roof will all be rotated 90° from images in plan.

Plan Alterations: Applies to the Tuscany and Siera Vista.

These steps prepare your unit for the Tube Slide Options.



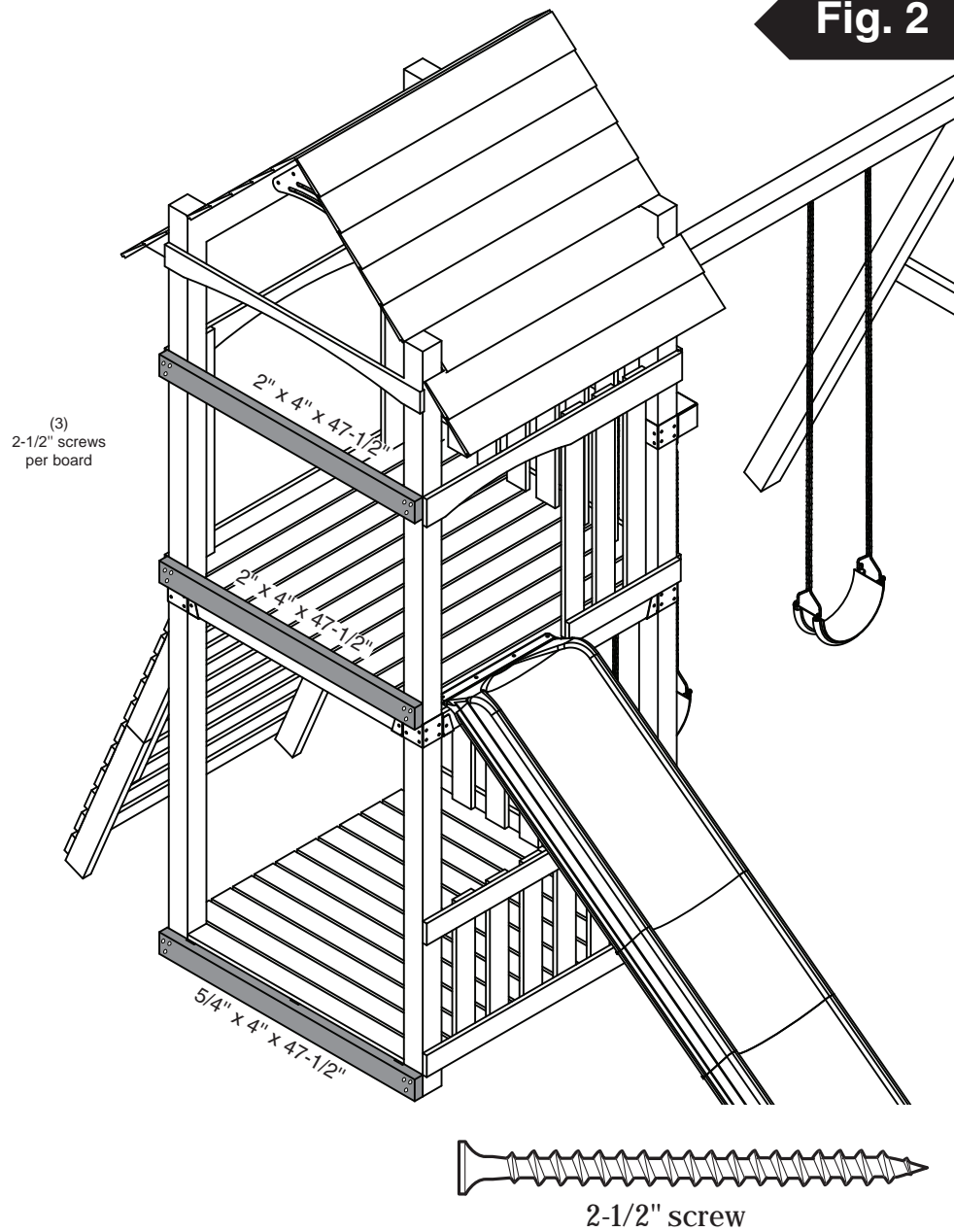
Pirate's Ladder Removal:

Note: Retain all hardware and lumber as these may be used later.

- 1. If already installed** carefully remove Pirate's Ladder as shown in **(Fig. 1)**.
- 2. Carefully** remove Pirate's Ladder frame and Opening Barrier Boards as shown in **(Fig. 1a)**.

Plan Alterations: Applies to the Tuscany ONLY.
This step prepares your unit for the Tube Slide Option.
For Sierra Vista Skip to pg. 10

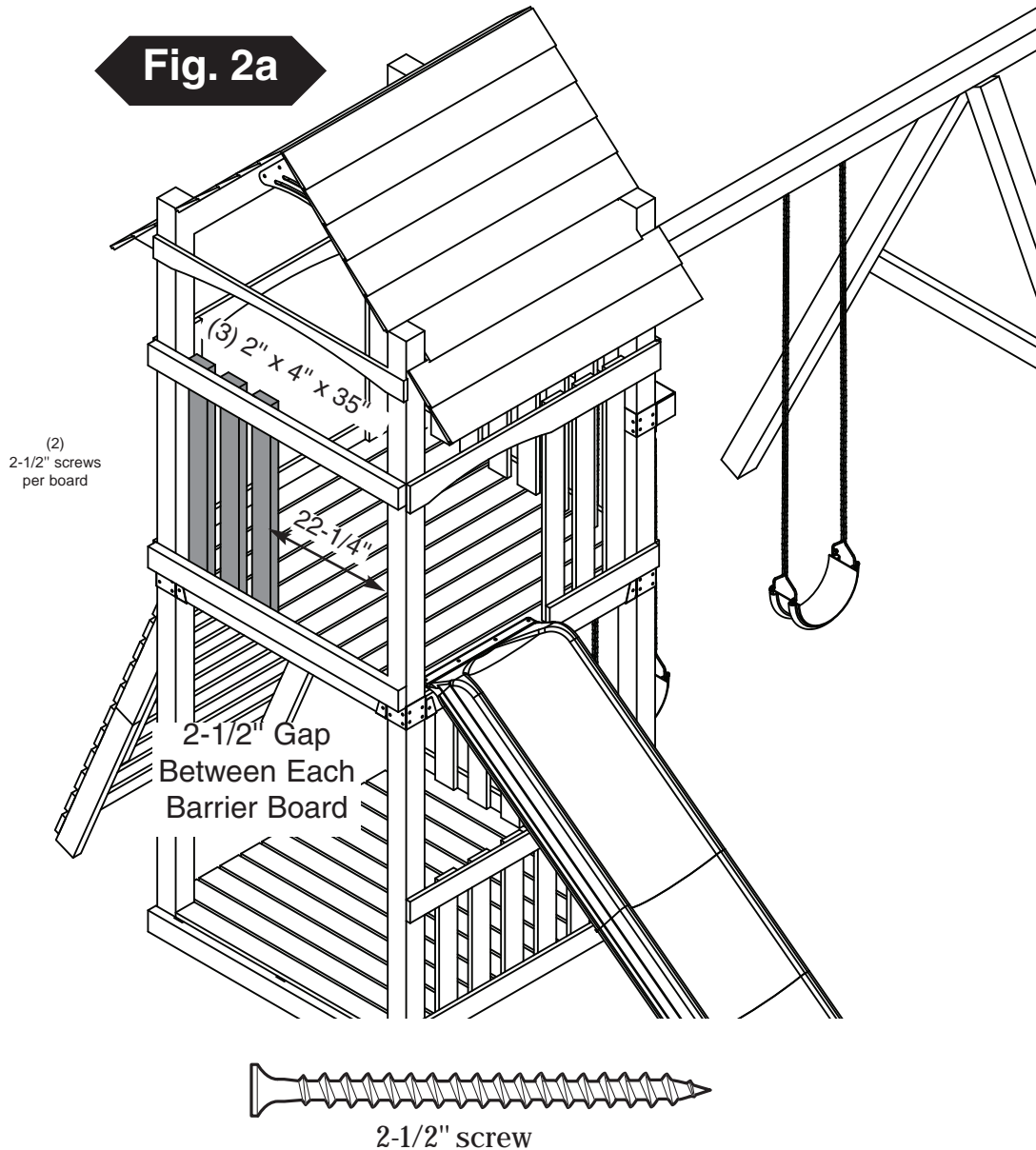
Fig. 2



Replaces Tunnel Twister Instructions Pages 6 to 7- Barrier Prep:

1. Install (2) 2" x 4" x 47-1/2" and relocate (1) 5/4" x 4" x 47*1/2" as shown in **(Fig. 2)**.

Plan Alterations: Applies to the Tuscany ONLY.
This step prepares your unit for the Tube Slide Option.
For Sierra Vista Skip to pg. 10



Replaces Tunnel Twister Instructions Pages 6 to 7- Barrier Prep:

1. Install (3) 2" x 4" x 35" barrier boards as shown in **(Fig. 2a)**.

Plan Alterations: Applies to the Tuscany ONLY.
This step prepares your unit for the Tube Slide Option.
For Sierra Vista Skip to pg. 10

Fig. 3

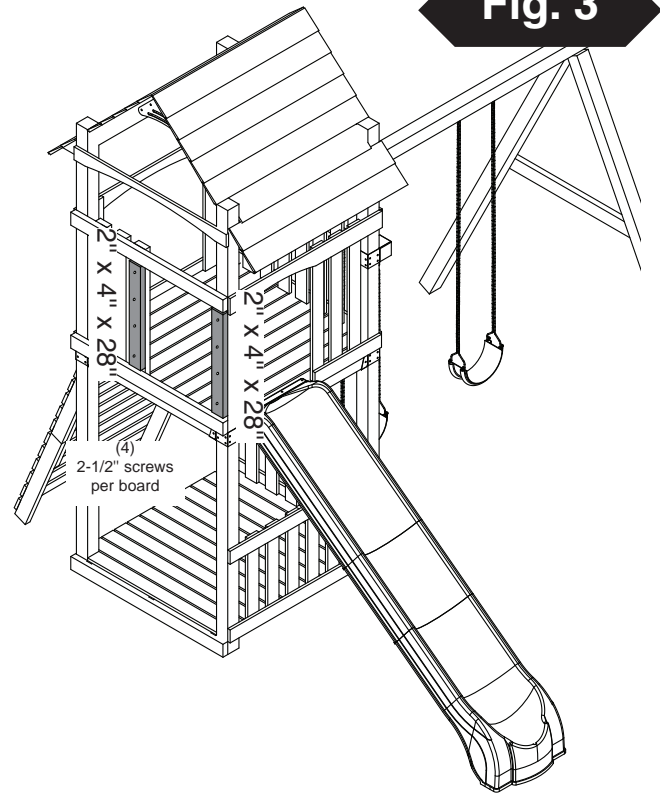
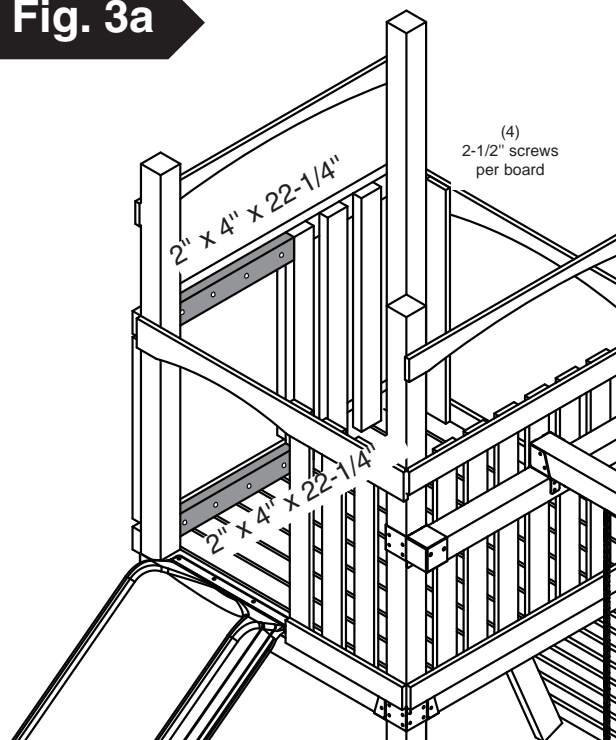


Fig. 3a



INSIDE VIEW
UNIT WAS ROTATED 180° FOR THIS VIEW



2-1/2" screw

Replaces Tunnel Twister Instructions Pages 6 to 7- Slide Barrier Prep:

1. Install (2) 2" x 4" x 28" Boards as shown in **(Fig. 3)**.
2. Install (2) 2" x 4" x 22-1/4" Slide Support Boards on the inside of your barrier as shown in **(Fig. 3a)**.

Note For Tuscany Unit: At this point return to your **Tunnel Twister Slide Instructions** on **Page 8, Figure 4** and follow the remaining steps for completion of your kit.

Plan Alterations: Applies to the Sierra Vista ONLY.
These Steps prepare your unit for the Tube Slide Option.

Fig. 4

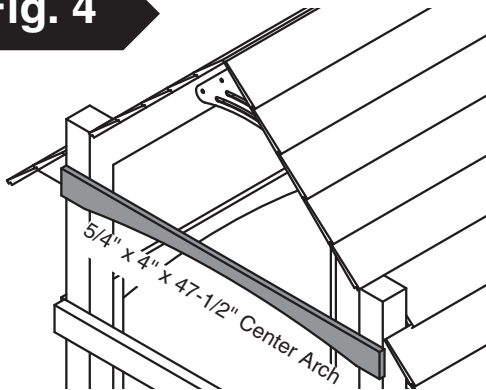
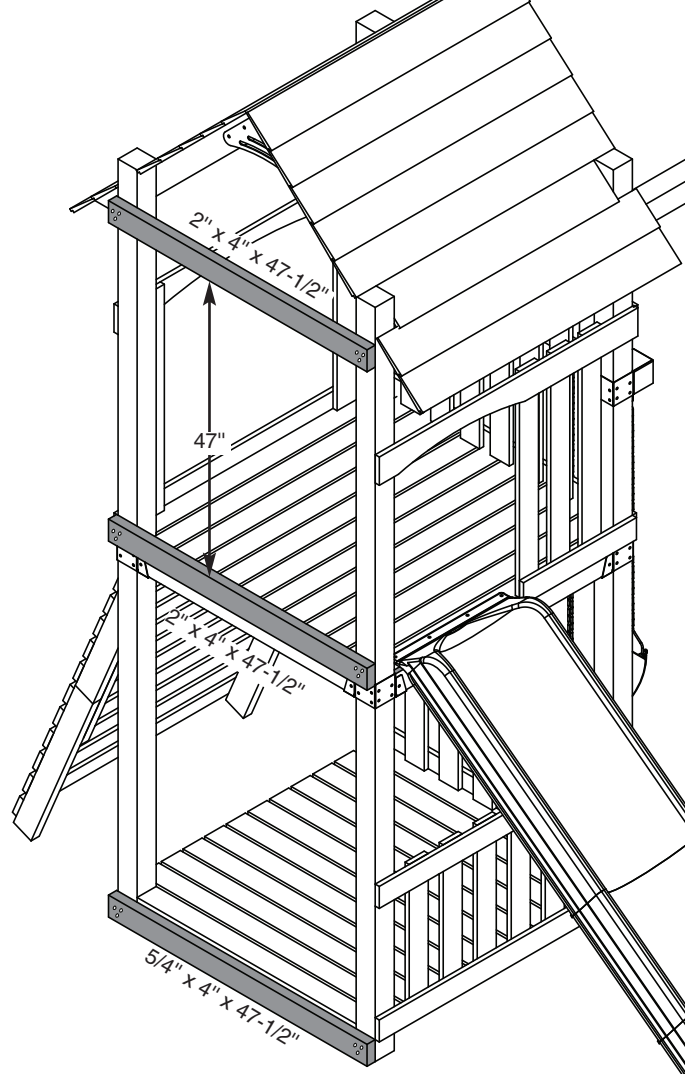


Fig. 4a

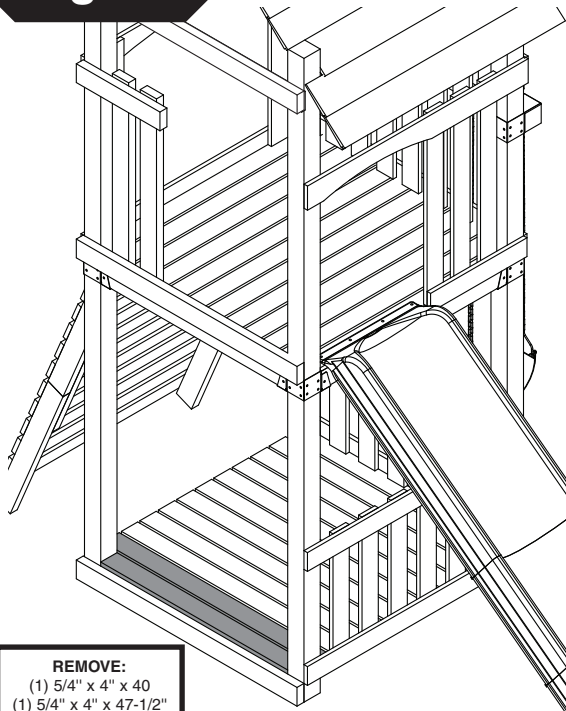


Replaces No-Cut Tower Instructions Page 10 - Turbo Tube Tower Barrier Prep:

- 1.** Remove (1) 5/4\" x 4\" x 47-1/2\" Center Arch Board as shown in **(Fig. 4)**.
- 2.** Attach (2) 2\" x 4\" and (1) 5/4\" x 4\" boards as shown in **(Fig. 4a)**.

Plan Alterations: Applies to the Sierra Vista ONLY.
These Steps prepare your unit for the Tube Slide Option.

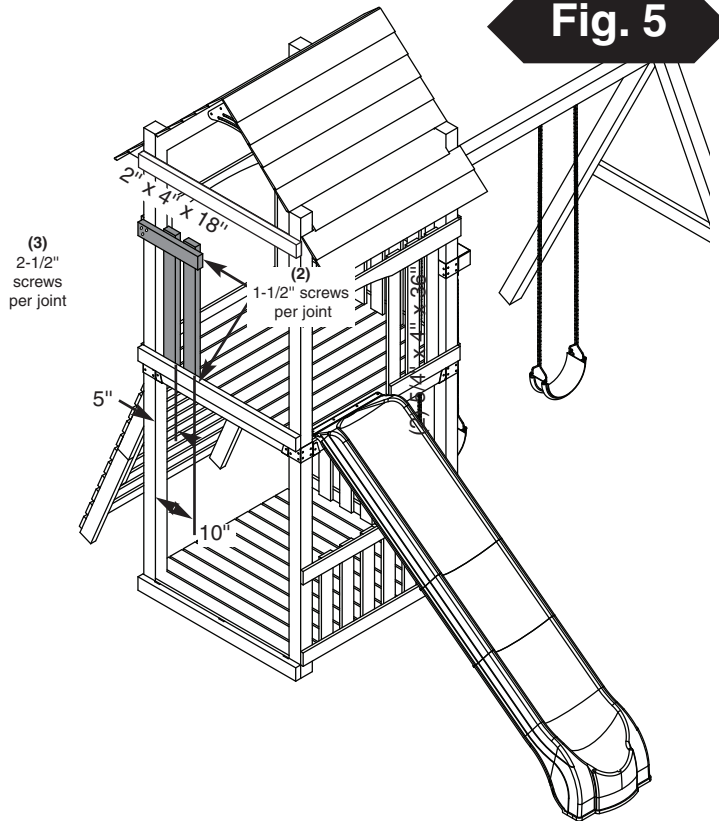
Fig. 5a



REMOVE:
 (1) 5/4" x 4" x 40"
 (1) 5/4" x 4" x 47-1/2"

REMEMBER:
 You will need to
RE-INSTALL these
 boards once your Turbo
 Tube Tower is in place.

Fig. 5



Replaces No-Cut Tower Instructions Page 10 - Turbo Tube Tower Barrier Prep:

1. Install 2" x 4" barrier boards as shown in **(Fig. 5)**.
2. **CAREFULLY** remove (2) 5/4" x 4" lower deck boards as shown in **(Fig. 5a)**. This is to allow you easy access when securing the Turbo Tube Tower to your Unit.
REMEMBER: You will need to re-install these two boards once your Turbo Tube Tower is in place.

Note For Sierra Vista Unit: At this point return to your **No Cut Tower Instructions** on **Page 11, Figure 3** and follow the remaining steps for completion of your kit.

Questions???
Call our Customer Service Department
at 1-800-888-1232



We Put Kids First.