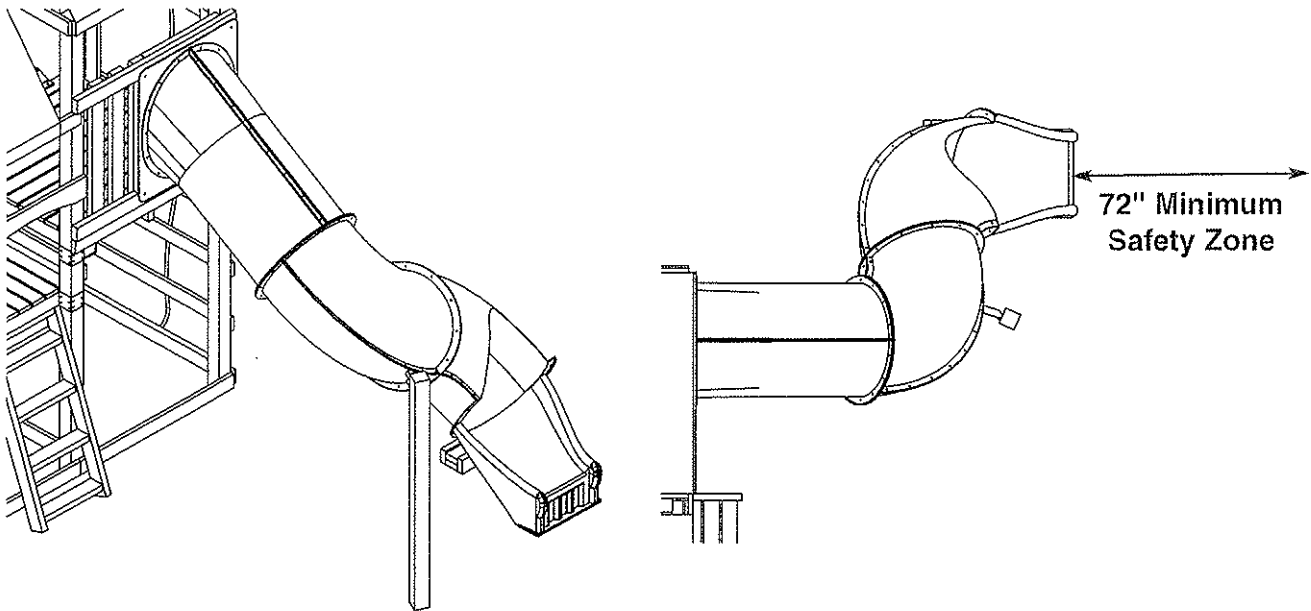




We Put Kids First.

# ***Tunnel Twister™ Slide***



check out <http://www.swing-n-slide.com/timberbiltplanupdates.htm>

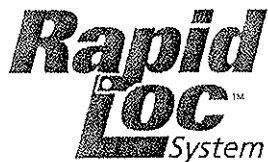
for updates to these instructions

For more information, visit these links:

<http://www.swing-n-slide.com/timberbilt>

<http://www.homedepot.com>

<http://www.homedepot.ca>



## **ASSEMBLY INSTRUCTIONS**

Swing•N•Slide • 1212 Barberry Drive • Janesville, Wisconsin 53545  
Visit our web site at: [www.swing-n-slide.com](http://www.swing-n-slide.com) or call us at 1-800-888-1232



We Put Kids First.

## Safety Checklist for Swing-N-Slide Play Sets and Accessories

**Observing the following statements and warnings reduces the likelihood of serious or fatal injury**

### Installation Safety – Have You:

- Consulted the assembly instructions supplied with your particular model?
- Noted this accessory is to be used only on Swing•N•Slide approved designs? (Do not alter its design or add/remove components.)
- Made sure all hardware is tightened securely? (Supplied bolt covers must also be fastened securely.)
- Using a hacksaw, cut off all protruding threaded ends of bolts and other fasteners and remove any sharp edges with a metal file as needed?
- Placed the equipment on level ground, not less than six feet (1.8 meters) from any structure or obstruction such as a fence, garage, house, overhanging branches, laundry lines, or electrical wires?
- Made sure home playground equipment is not installed over concrete, asphalt, packed earth or any other hard surface? (A fall onto a hard surface can result in serious injury to the equipment user.)
- Verified that suspended climbing ropes, chain, or cable are secured at both ends?
- Consulted in assembly instructions of your particular model for minimum use zones?
- Followed all anchoring and shock absorbing surfacing requirements on the back of this sheet as they apply?
- Made sure not to allow children to use equipment until it is properly installed?

### Operating Safety – Have You:

- Determined that on-site adult supervision is provided for children of all ages?
- Warned children the following before allowing them to use the equipment?
  - Not to walk close to, in front of, behind or between moving items.
  - Not to twist swing or any other accessory chains or ropes or loop them over the top support bar since this will reduce the strength of chain or rope.
  - Not to swing empty seats or other accessories.
  - Be sure to sit in the center of the swing seat and other accessories with full weight on the seat.
  - Not to attach items to the playground equipment that are not specifically designed for use with the equipment such as but not limited to, jump ropes, clotheslines, pet leashes, cables and chain. They may cause a strangulation hazard.
  - Not to use equipment in a manner other than intended.
  - Not to get off equipment while it is in motion.
  - Not to climb on the equipment when it is wet.
- Determined that only one child per planned occupant seat should be allowed on this set at one time.
- Determined children must be dressed appropriately for play. Avoid clothing with draw strings and loose fitting clothes which could become entangled or snagged on equipment.
- Determined that suspended climbing ropes, chain, or cable cannot be looped back upon itself.
- Read and understood the following warning regarding the use of two and four passenger lawn swings?

**Warning:** Lawn Swings are designed for use by children over two years of age. Use by children under the age of two can result in entrapment between the seats and back areas. Never place children in a rearward facing position or with legs between the seat and backrest because the child's body may pass through the opening causing entrapment of the child's head.

### Safety Maintenance – Have You Determined to:

- Check all nuts and bolts twice monthly during the usage season for tightness and tighten as required? (It is particularly important that this procedure be followed at the beginning of each season.)
- To prevent the deterioration of materials, remove plastic swing seats and other plastic accessories and take indoors? (Do not use when the temperature drops below 0° F.)
- Oil all metallic moving parts monthly during usage period?
- Check all hardware and equipment for sharp edges twice monthly during usage season? (Replace when necessary. It is especially important to do this at the beginning of each new season.)
- Check swing seats, chains, ropes and cables monthly during usage season for evidence of deterioration? Severe rusting or excessive wear, especially near the top swing hanger or at the seat connection are evidence of chain deterioration. Cracks in the protective plastic sleeve or seat itself are also signs of deterioration. If any of these conditions exist, call 1-800-888-1232 to order replacement accessories.
- Sand rusted metal parts and repaint using non-lead based paint.

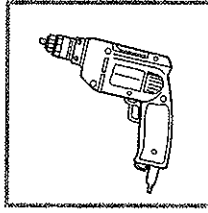
### Disposal Instructions

When the equipment is taken out of service, it must be disassembled and disposed of in such a way that no unreasonable hazards will exist at the time the set is discarded.

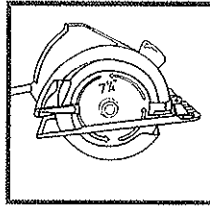
**Important! Additional Safety Instructions for all Swing-N-Slide Playground Equipment.  
Save this instruction sheet in the event the manufacturer needs to be contacted.**

# ASSEMBLY INSTRUCTIONS

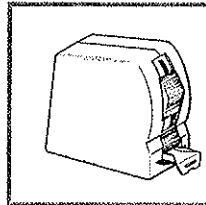
## TOOLS REQUIRED



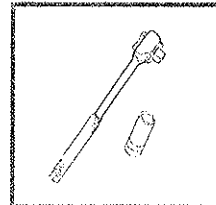
ELECTRIC DRILL



CIRCULAR SAW



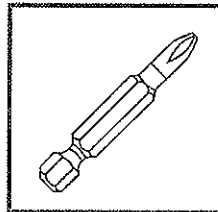
TAPE MEASURE



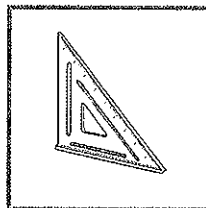
1/2" SOCKET & WRENCH



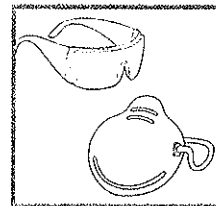
HAMMER



PHILLIPS BIT



SQUARE

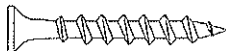


SAFETY GLASSES  
& DUST MASK

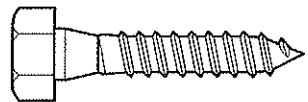
## ADDITIONAL LUMBER PURCHASED SEPARATELY

Qty.	Description
3	2" x 4" x 8'
1	2" x 4" x 10'
1	4" x 4" x 8'

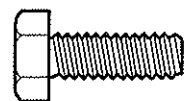
## HARDWARE INCLUDED

 (2) 1-1/4" Wood Screw

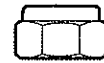
 (62) 2-1/2" Wood Screw

 (14) 1-1/2" lag bolts

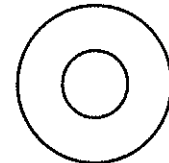
 (4) 2-1/2" lag bolts

 (70) 3/4" bolts

 (4) 1" bolts

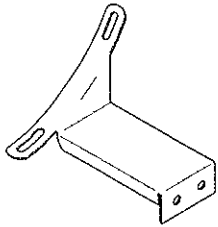


(74) loc nuts

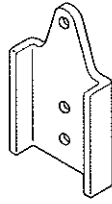


(148) flat washers

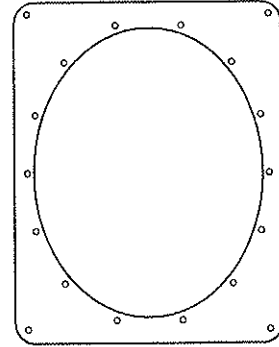
# SLIDE COMPONENTS



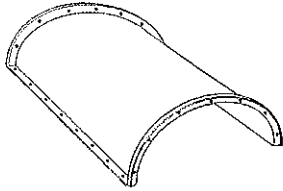
(1) Slide Bracket



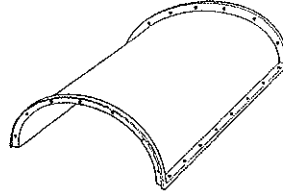
(1) Support Bracket



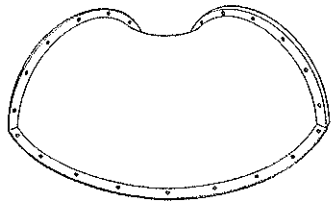
(1) Entrance Panel



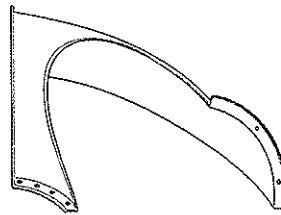
(1) Entrance Section marked no. 1



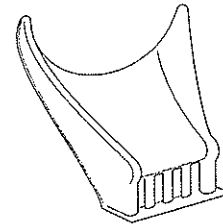
(1) Entrance Section marked no. 2



(1) 90° Sections w/flange, marked no. 4 Top



(1) Exit Section marked no. 5



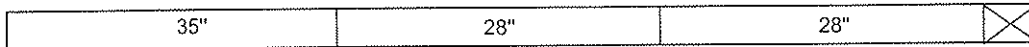
(1) Slide Base marked no. 6

(2) 90° Sections w/o flange, marked no. 3 Bottom

# LUMBER CUT LIST

- (3)-2" x 4" x 96"
- (1)-2" x 4" x 120"
- (1)-4" x 4" x 96"

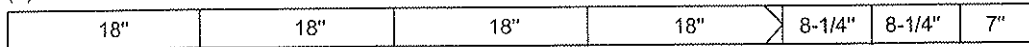
**Note:** To match the wood appearance on your playset, make certain to use **Behr Deck Plus Semi Transparent Stain Redwood DP-330 Tint Base 377(3077)**.



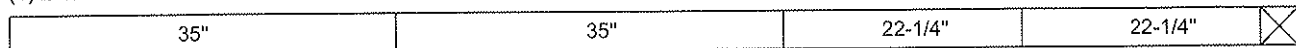
(1) 2" x 4" x 96"



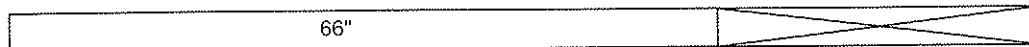
(1) 2" x 4" x 96"



(1) 2" x 4" x 96"



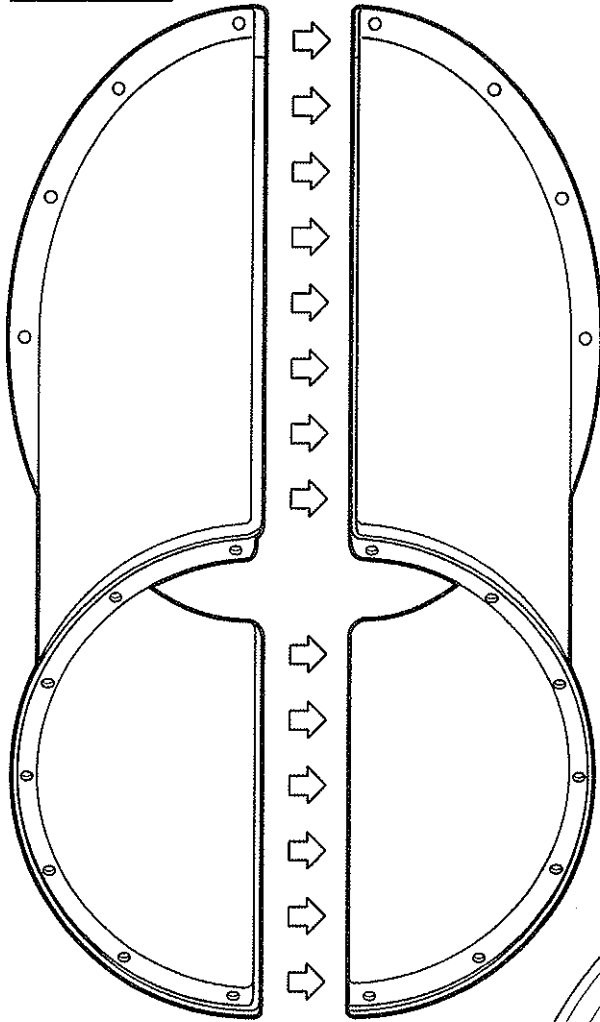
(1) 2" x 4" x 120"



(1) 4" x 4" x 96"

# Tunnel Twister Assembly Instructions

**Fig. 1**



Entrance Section - 14 bolts

## A. ENTRANCE SECTION, 90° SECTION AND EXIT SECTION

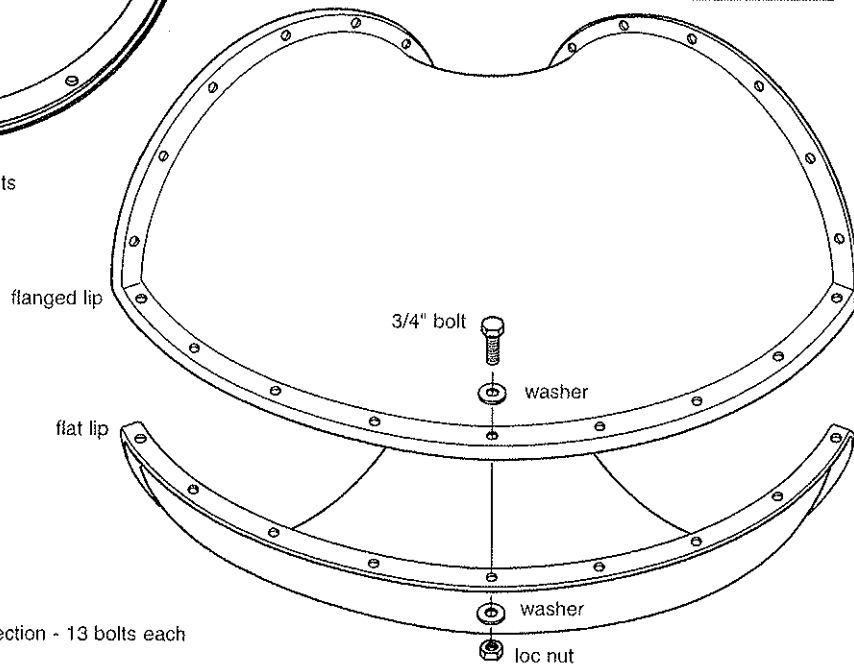
### NOTES:

- At least two individuals are needed to assemble the Tunnel Twister Slide.
- To aid in aligning holes when assembling sections, insert a screwdriver through adjacent holes to maintain hole alignment.

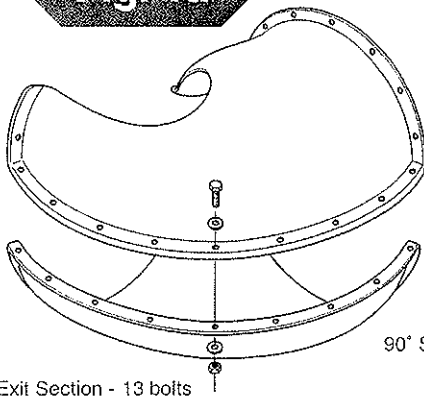
1. Identify each slide section as either (1), (2), (3), (4), (5), or (6) as marked on the lip of each piece.
2. Assemble entrance section using pieces (1) & (2), one 90° section using pieces (3) & (4), and the exit section using pieces (5) & (6). Join sections using a 3/4" hex head bolt, two flat washers, and a loc nut at each hole junction (**FIG. 1**), (**Fig. 1a**), & (**Fig. 1b**). **NOTE:** Fasten each loc nut finger tight until the entire slide is assembled. Each time you join parts be sure each flanged lip is mating with a flat lip.

**NOTE:** Hand tighten the loc nuts only.

**Fig. 1b**



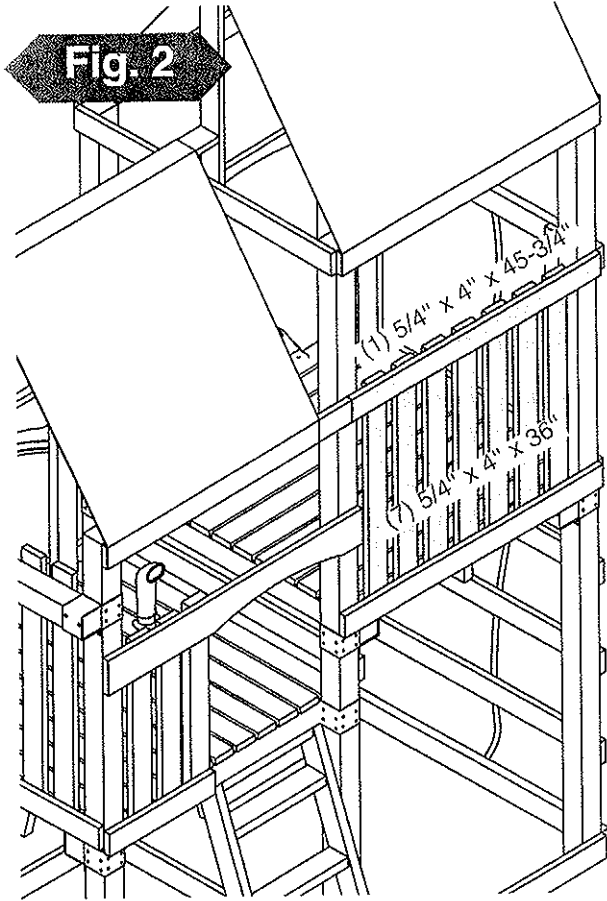
**Fig. 1a**



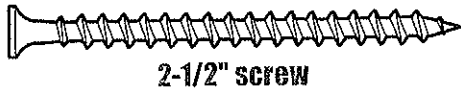
Exit Section - 13 bolts

90° Section - 13 bolts each

# Tunnel Twister Assembly Instructions

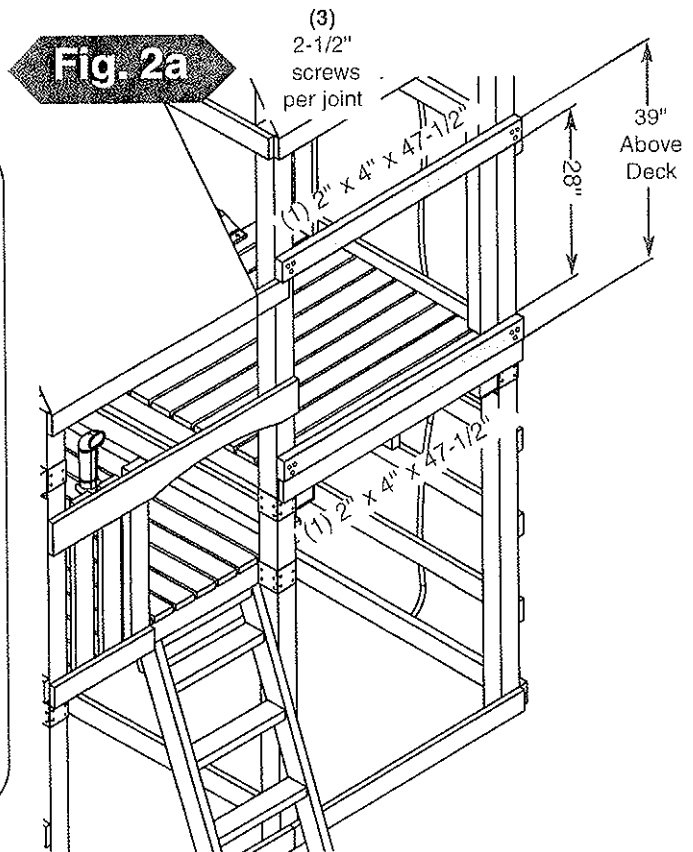


**NOTE:**  
 This plan illustrates the Tunnel Twister Slide being attached to the Palisade Playset. However, this same procedure is to be used for attachment to the Summerville Playset

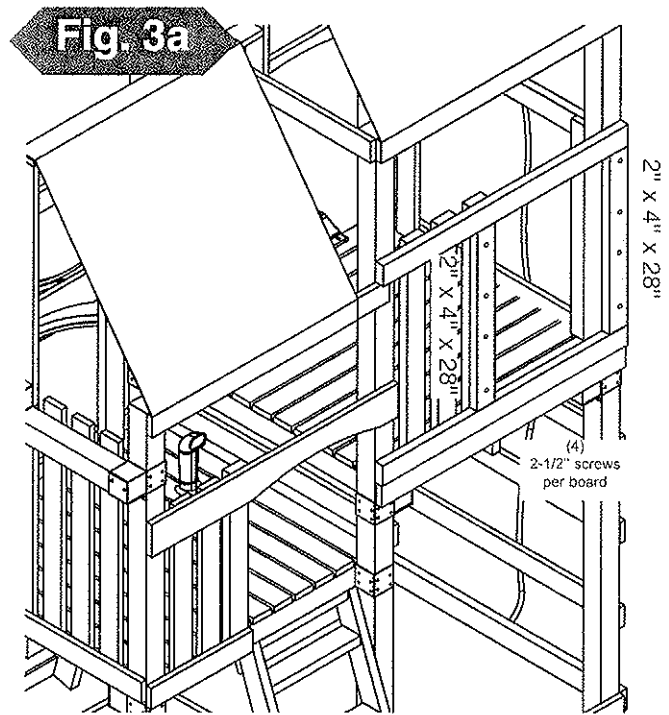
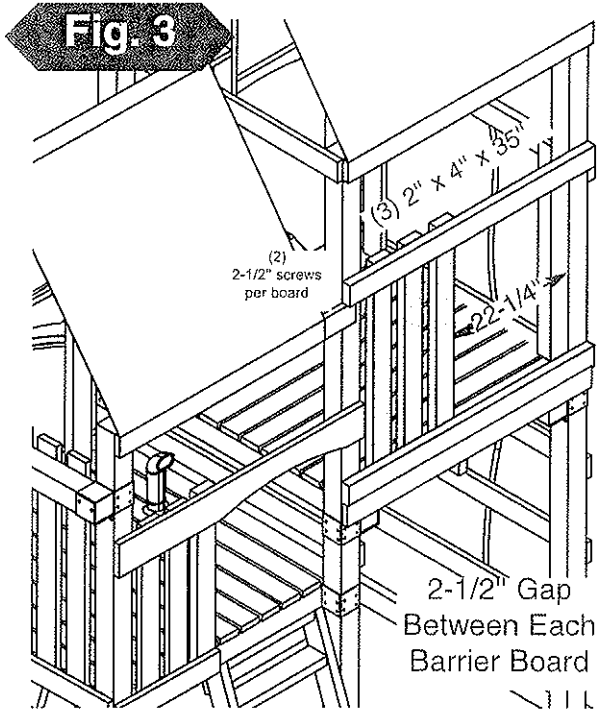


## B. Slide Barrier Construction

1. Carefully remove (1) 5/4" x 4" Barrier Support Board and (7) 5/4" x 4" Barrier Boards from the barrier where you would like to place your slide, making certain you will have a clear 72" Safety Zone for your slide. (Fig. 2). Retain this lumber as you may need it in a later step.
2. Install (2) 2" x 4" Barrier Support Boards as shown in (Fig. 2a), making certain the opening between them is 30".



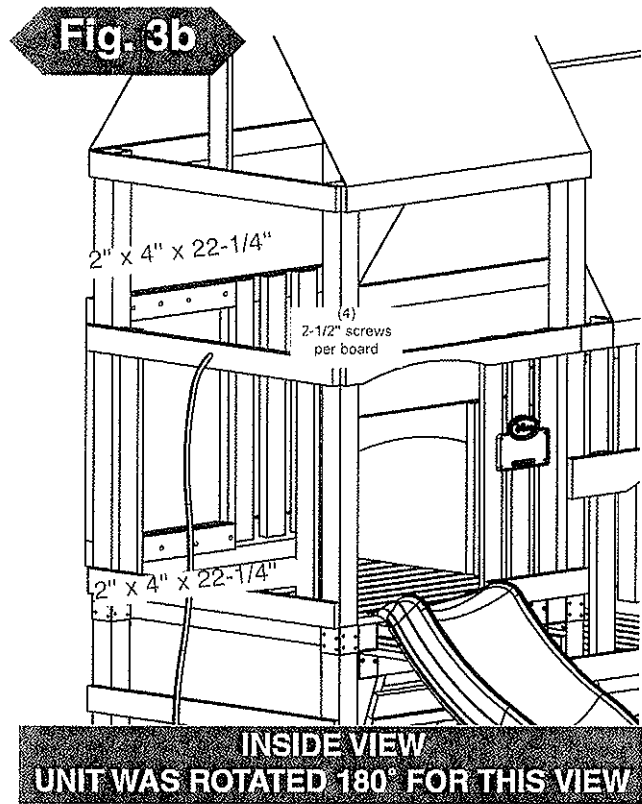
# Tunnel Twister Assembly Instructions



2-1/2" screw

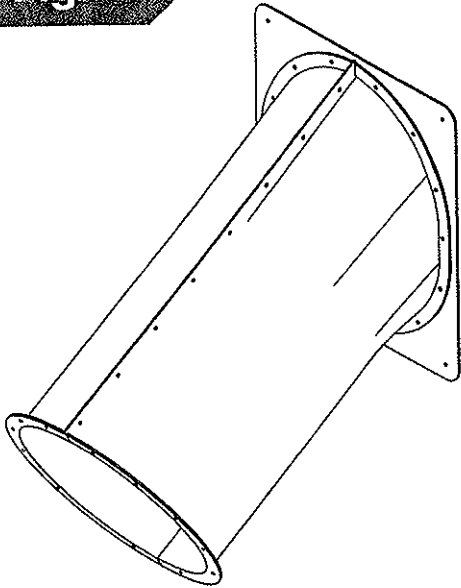
## C. Slide Barrier Cont.

1. Install (3) 2" x 4" Barrier Boards as shown in (Fig. 3). Space Barrier boards as shown and make certain your opening is 22-1/4" wide.
2. Install (2) 2" x 4" x 28" Boards as shown in (Fig. 3a).
3. Install (2) 2" x 4" x 22-1/4" Slide Support Boards on the inside of your barrier as shown in (Fig. 3b).

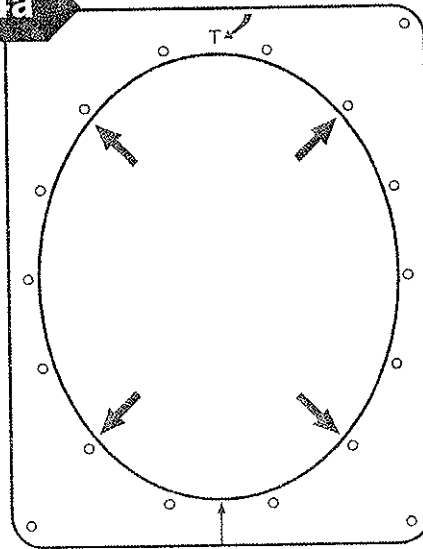


# Tunnel Twister Assembly Instructions

**Fig. 4**



**Fig. 4a**

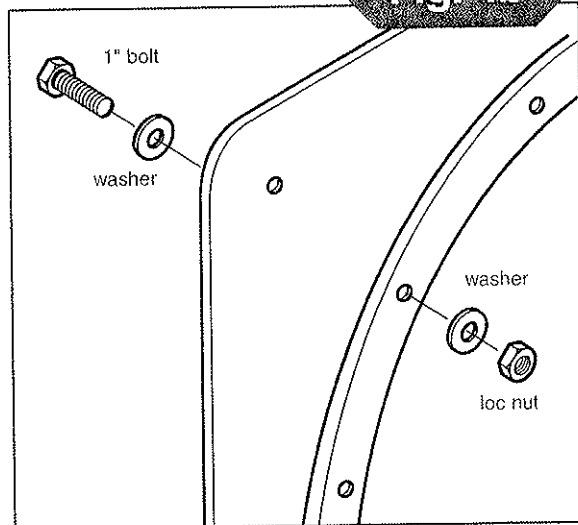


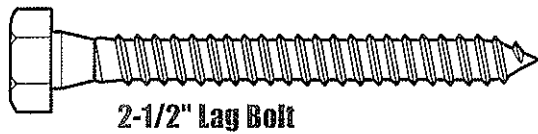
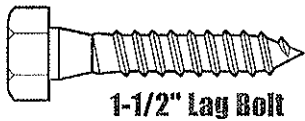
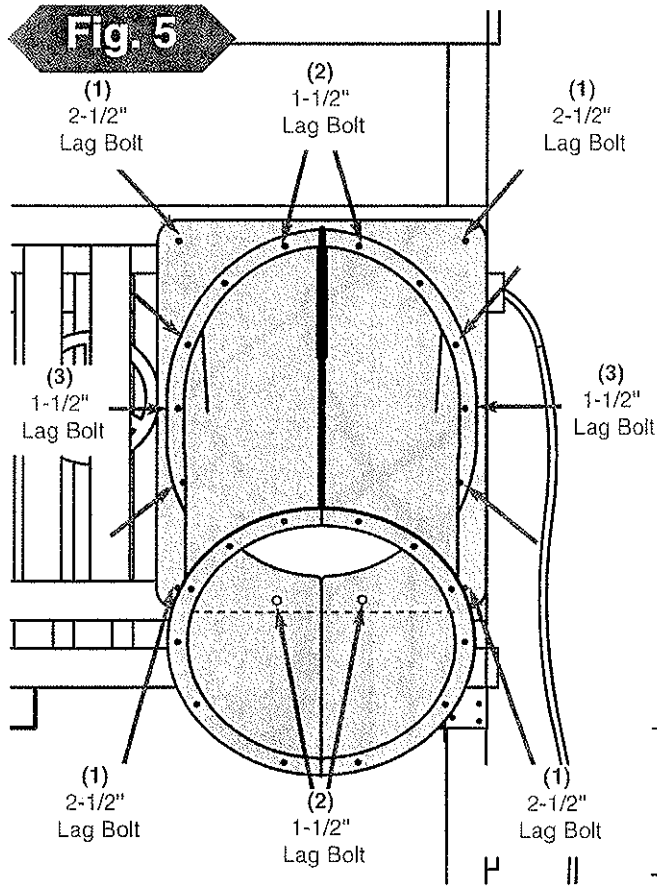
## D. Slide Support and Entry

1. Align the mounting panel to the previously assembled entrance section (**Fig. 4**). Attach the mounting panel to the entrance section at the hole locations indicated in (**Fig. 4a**) using one 1" bolt, two washers and one loc nut per hole as indicated in (**Fig. 4b**).

**NOTE:** Hand tighten the loc nuts only.

**Fig. 4b**

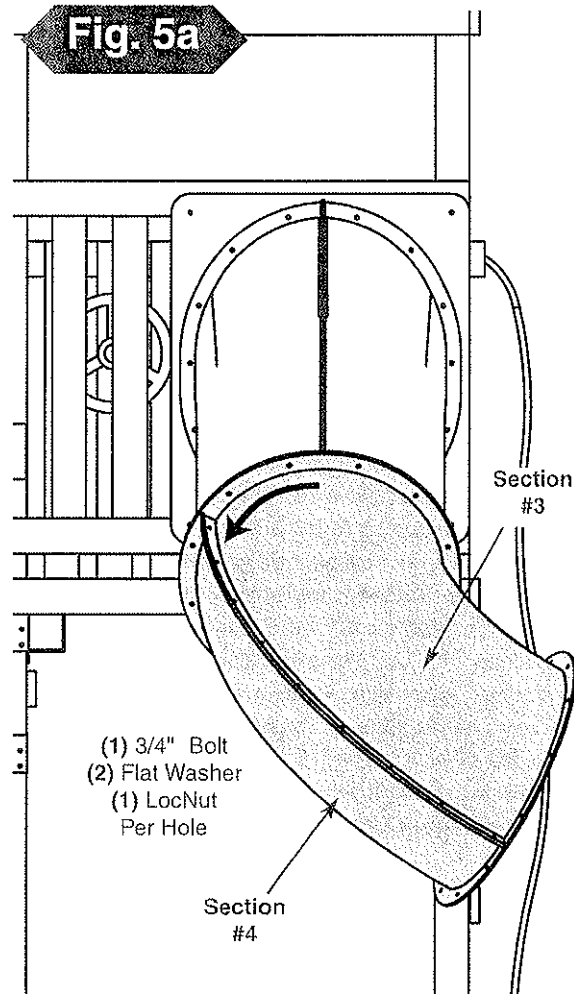




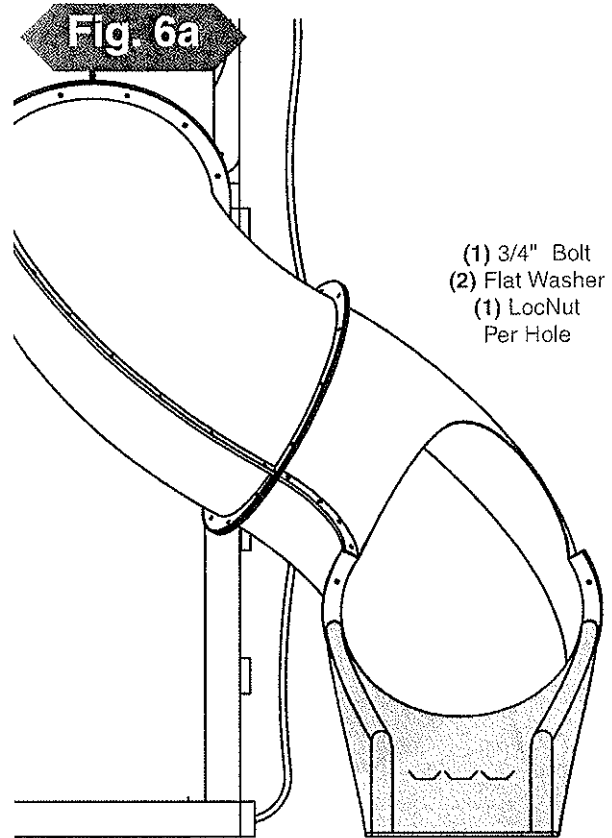
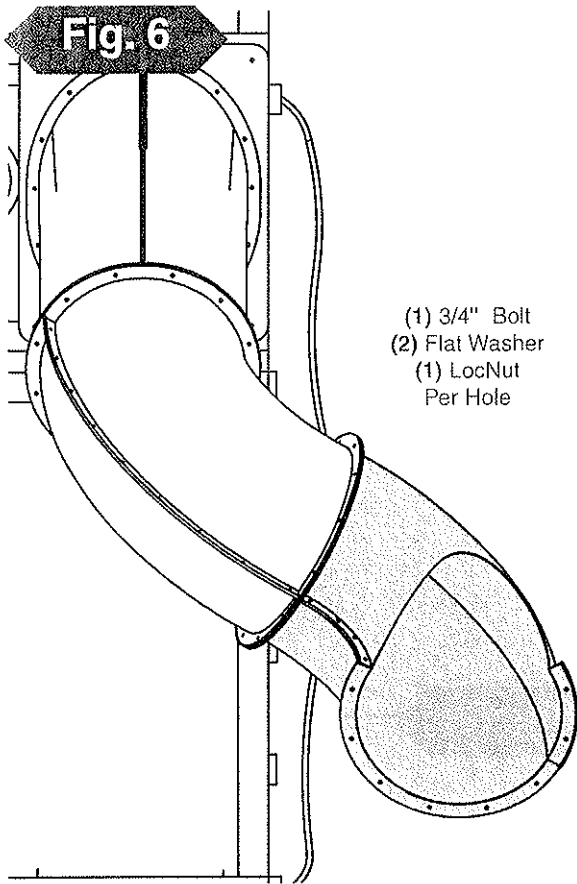
**E. Slide Entrance and Elbow**

1. Attach Entrance Section as shown in **(Fig. 5)**.
2. Align the first Elbow Section to the Entrance Section with the seams aligned and the exit facing downward. Rotate the Elbow (2) holes to the left.
3. Secure in place as shown in **(Fig. 5a)**.

**NOTE:** Hand tighten the loc nuts only.

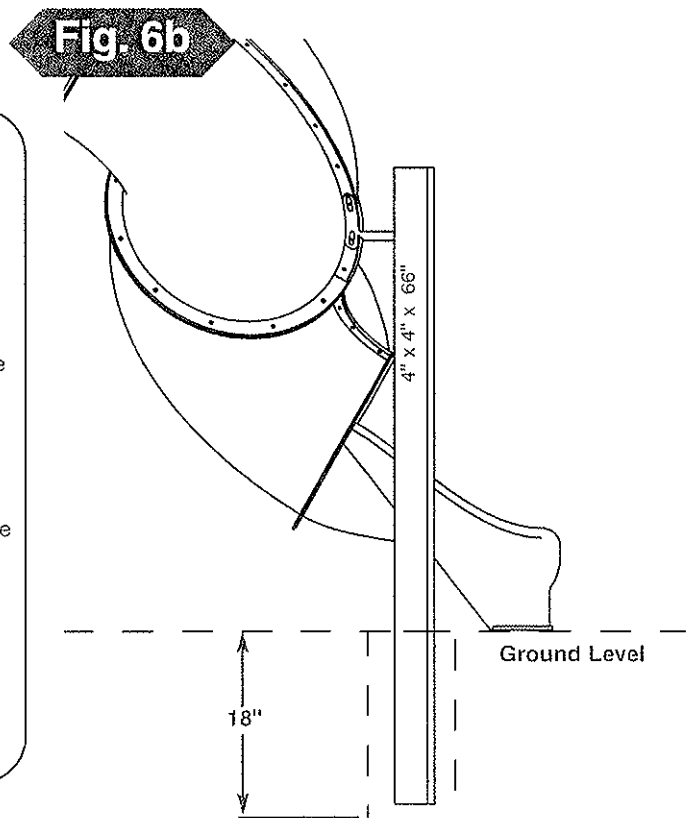


# Tunnel Twister Assembly Instructions

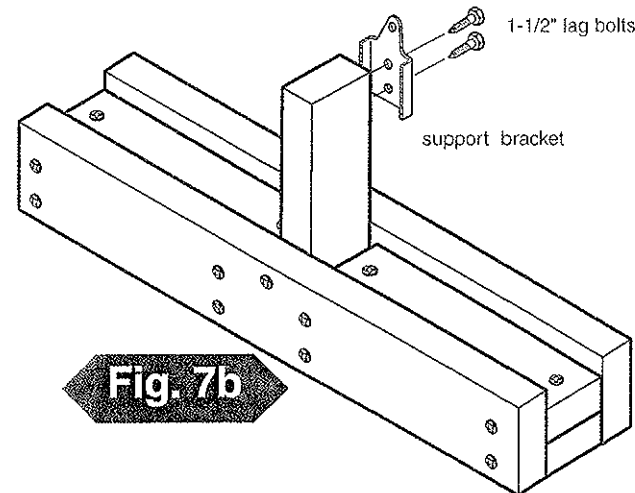
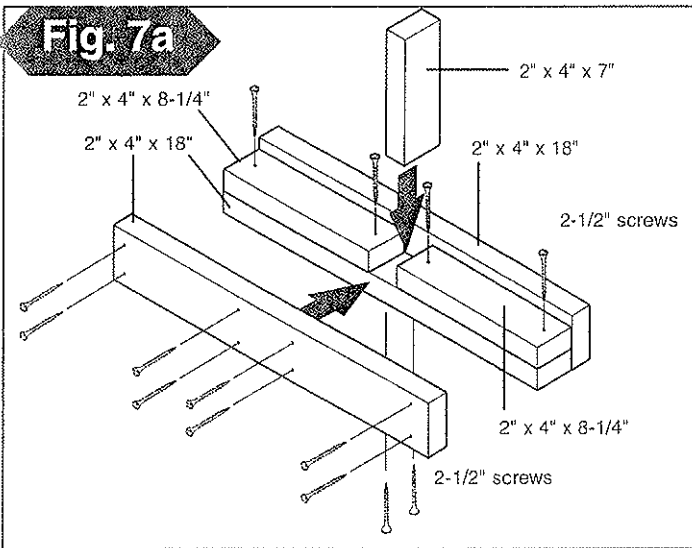
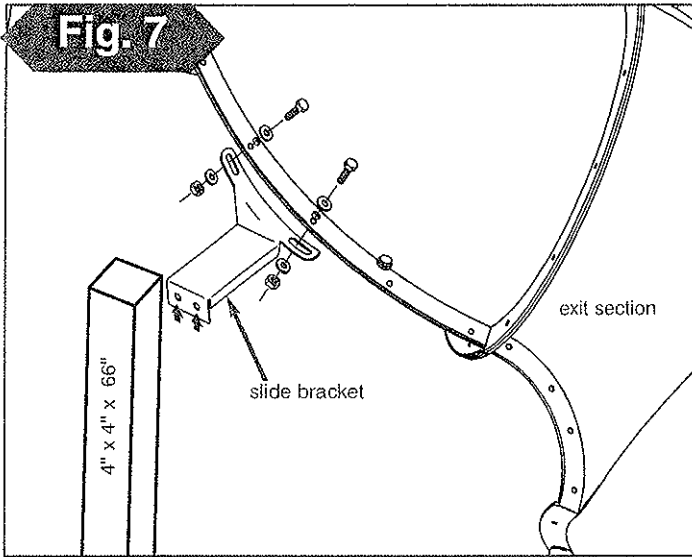


## F. Second Elbow and Slide Exit

1. Align the seams of the second Elbow Section to the First Elbow Section as shown in **(Fig. 6)**.
2. Secure in place as shown in **(Fig. 6)**.
3. Attach exit section so that the Slide Base is level on the ground, as shown in **(Fig. 6a)**.
4. Use the Slide Bracket to determine an appropriate location for the 4" x 4" x 66" Slide Support.
5. Dig a hole 18" deep aligned with the previously determined location as well as located near the first bend of the slide as shown in **(Fig. 6b)**. Place the 4" x 4" x 66" Slide Support in this hole as shown and set in place.
6. Tighten **all** slide bolts securely.

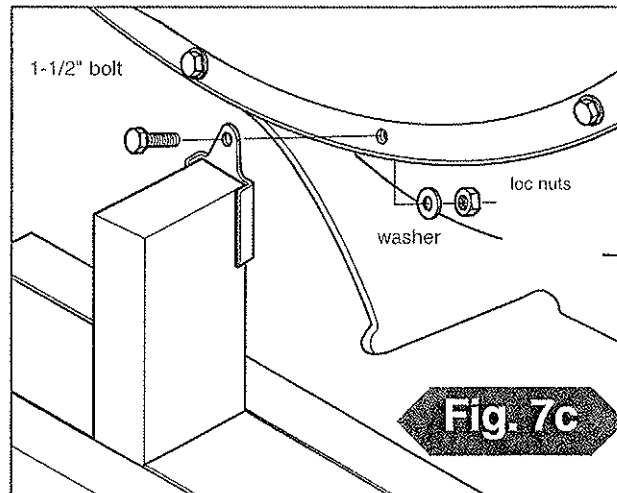


# Tunnel Twister Assembly Instructions

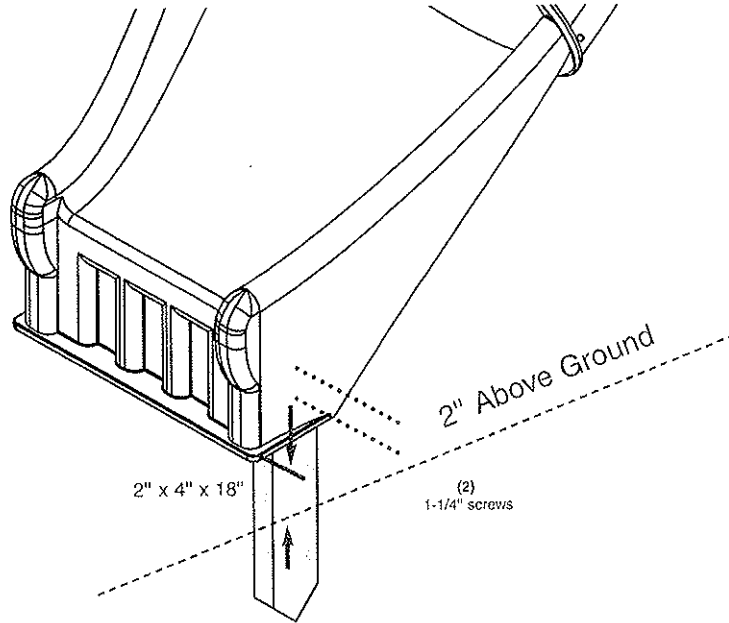


## G. SUPPORT AND BRACKET ASSEMBLY

1. Position the slide bracket as shown in (FIG. 7). Remove appropriate bolts from the slide (the fourth and fifth bolts as indicated), Attach bracket to the underside of the seam using the previously removed hardware (FIG. 7).
2. Using holes in the bracket (indicated by arrows in (FIG. 7)) as a guide, mark and drill 1/8" pilot holes (1" deep). **NOTE:** You may need to temporarily remove the slide bracket to drill the pilot holes.
3. Re-attach bracket (if necessary) and secure it to the 4" x 4" Slide Support using two 1-1/2" lag bolts .
4. Assemble the support base as shown in (FIG. 7a).
5. Attach the support bracket to the support base using two 1-1/2" lag bolts (FIG. 7c). **NOTE:** Pre-drill 1/8" pilot holes.
6. Place the support beneath the slide base and determine its final position. **NOTE:** Slide support should fit tightly beneath the slide to assure proper support. Remove corresponding nut and bolt, attach support to the slide as indicated in (FIG. 7b). Re-attach hardware.
7. Level grade at the bottom of the slide.



**Fig. 8**



**H. Slide Installation.**

1. Position slide to determine proper location for stake.
2. Drive wood stake into ground leaving 2" exposed.
3. Secure the slide bottom to the stake using (2) 1-1/4" deck screws. **(Fig. 8)**.

***Questions???***  
***Call our Customer Service Department***  
***at 1-800-888-1232***