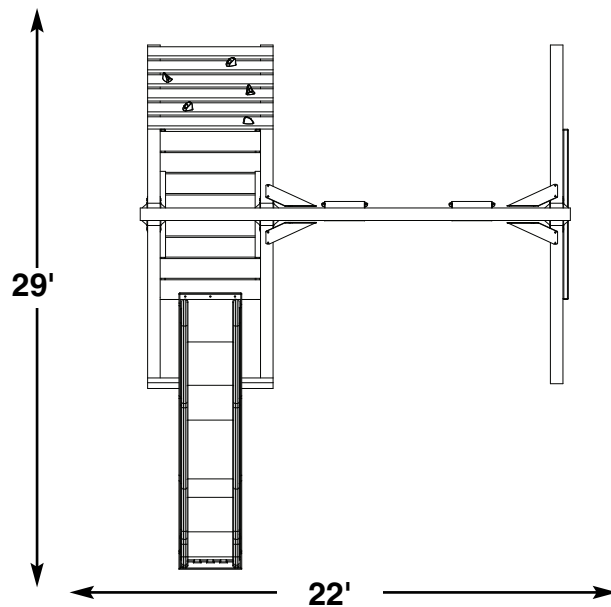
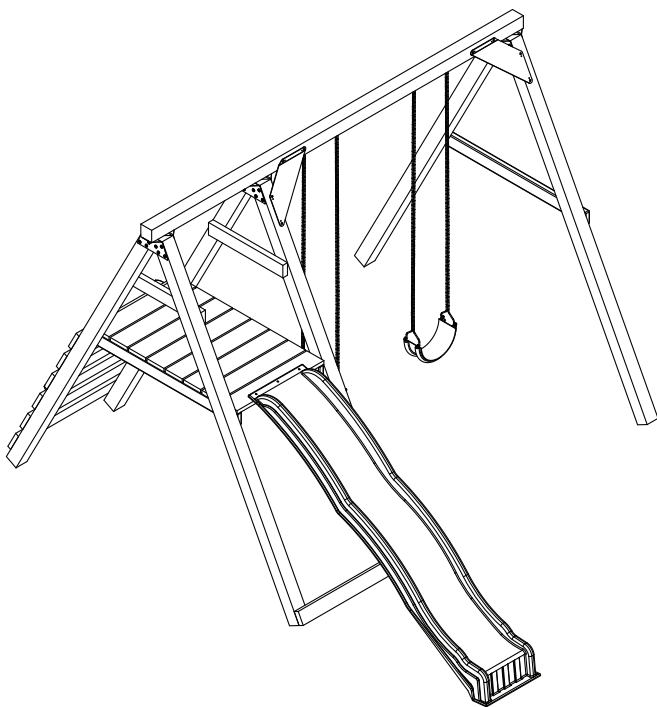


Swing-N-Slide®

We Put Kids First.

PB 8232

check out <http://www.swing-n-slide.com/planupdates.htm>
for updates to these instructions.



No. of Children: Up to 5
Min. Use Zone: 29' x 22'
Set Dim. 13'W x 10'L x 8'H
Est. Building Time: 1-1/2 hr.

ASSEMBLY INSTRUCTIONS

Swing-N-Slide • 1212 Barberry Drive • Janesville, Wisconsin 53545
Visit our web site at: www.swing-n-slide.com or call us at 1-800-888-1232



We Put Kids First.

Safety Checklist for Swing-N-Slide Play Sets and Accessories

Observing the following statements and warnings reduces the likelihood of serious or fatal injury

Installation Safety – Have You:

- Consulted the assembly instructions supplied with your particular model?
- Noted this accessory is to be used only on Swing•N•Slide approved designs? (Do not alter its design or add/remove components.)
- Made sure all hardware is tightened securely? (Supplied bolt covers must also be fastened securely.)
- Using a hacksaw, cut off all protruding threaded ends of bolts and other fasteners and remove any sharp edges with a metal file as needed?
- Placed the equipment on level ground, not less than six feet (1.8 meters) from any structure or obstruction such as a fence, garage, house, overhanging branches, laundry lines, or electrical wires?
- Made sure home playground equipment is not installed over concrete, asphalt, packed earth or any other hard surface? (A fall onto a hard surface can result in serious injury to the equipment user.)
- Verified that suspended climbing ropes, chain, or cable are secured at both ends?
- Consulted in assembly instructions of your particular model for minimum use zones?
- Followed all anchoring and shock absorbing surfacing requirements on the back of this sheet as they apply?
- Made sure not to allow children to use equipment until it is properly installed?

Operating Safety – Have You:

- Determined that on-site adult supervision is provided for children of all ages?
- Warned children the following before allowing them to use the equipment?
 - Not to walk close to, in front of, behind or between moving items.
 - Not to twist swing or any other accessory chains or ropes or loop them over the top support bar since this will reduce the strength of chain or rope.
 - Not to swing empty seats or other accessories.
 - Be sure to sit in the center of the swing seat and other accessories with full weight on the seat.
 - Not to attach items to the playground equipment that are not specifically designed for use with the equipment such as but not limited to, jump ropes, clotheslines, pet leashes, cables and chain. They may cause a strangulation hazard.
 - Not to use equipment in a manner other than intended.
 - Not to get off equipment while it is in motion.
 - Not to climb on the equipment when it is wet.
- Determined that only one child per planned occupant seat should be allowed on this set at one time.
- Determined children must be dressed appropriately for play. Avoid clothing with draw strings and loose fitting clothes which could become entangled or snagged on equipment.
- Determined that suspended climbing ropes, chain, or cable cannot be looped back upon itself.
- Read and understood the following warning regarding the use of two and four passenger lawn swings?

Warning: Lawn Swings are designed for use by children over two years of age. Use by children under the age of two can result in entrapment between the seats and back areas. **Never** place children in a rearward facing position or with legs between the seat and backrest because the child's body may pass through the opening causing entrapment of the child's head.

Safety Maintenance – Have You Determined to:

- Check all nuts and bolts twice monthly during the usage season for tightness and tighten as required? (It is particularly important that this procedure be followed at the beginning of each season.)
- To prevent the deterioration of materials, remove plastic swing seats and other plastic accessories and take indoors? (Do not use when the temperature drops below 0° F.)
- Oil all metallic moving parts monthly during usage period?
- Check all hardware and equipment for sharp edges twice monthly during usage season? (Replace when necessary. It is especially important to do this at the beginning of each new season.)
- Check swing seats, chains, ropes and cables monthly during usage season for evidence of deterioration? Severe rusting or excessive wear, especially near the top swing hanger or at the seat connection are evidence of chain deterioration. Cracks in the protective plastic sleeve or seat itself are also signs of deterioration. If any of these conditions exist, call 1-800-888-1232 to order replacement accessories.
- Sand rusted metal parts and repaint using non-lead based paint.

Disposal Instructions

When the equipment is taken out of service, it must be disassembled and disposed of in such a way that no unreasonable hazards will exist at the time the set is discarded.

**Important! Additional Safety Instructions for all Swing-N-Slide Playground Equipment.
Save this instruction sheet in the event the manufacturer needs to be contacted.**

This product is intended for single family home/residential use only and not intended for use in any public setting. Placement in any public setting constitutes a misuse of this product.

IMPORTANT!

ADDITIONAL REQUIRED SAFETY INSTALLATION INSTRUCTIONS

According to ASTM requirements, all kits must be anchored to the ground and, if the unit has a climbing rope, the rope end must be anchored to the ground. If soil conditions permit stakes to be pulled out easily, cementing into ground is necessary.

- **To anchor the unit to the ground,** Follow the instructions included in this plan for applying Anchor-It devices to your unit, or use 2" x 4" x 18" (45mm x 95mm x 457mm) pressure-treated stakes. Pound stakes into ground at least 12" (305mm) at all inside corners of the posts (including A-frame legs and climbing unit posts). Attach with four (4) 16D (3-1/2") galvanized nails per stake into each 4" x 4" (95mm x 95mm) post.
- **If the unit has a climbing rope,** anchor the rope end.
- **Once the unit is completely assembled and before children are allowed to play on it, proper shock-absorbing surfacing material must be installed.** This may be accomplished by using loose-fill materials at a sufficient depth. The Consumer Product Safety Commission "Handbook for Public Playground Safety" lists the following materials and required depths that are sufficient for home/residential application. For fall height protection up to 9 ft. (2.742m) [recommended for Swing•N•Slide kits]:

LOOSE FILL MATERIAL

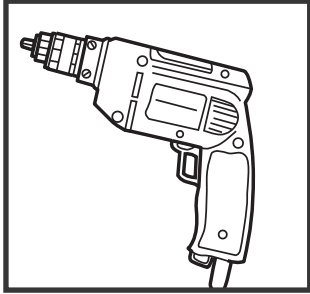
REQUIRED (UNCOMPRESSED) DEPTH¹ in. (mm)

Wood Mulch	9" (229mm)
Double Shredded Bark Mulch	9" (229mm)
Uniform Wood Chips	12" (305mm)
Fine Sand	12" (305mm)
Fine Gravel	12" (305mm)

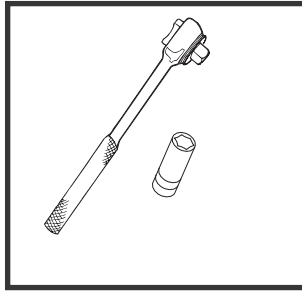
¹These depths were derived from the CPSC Handbook. Swing•N•Slide has not done independent tests to determine these required depths. When properly installed, shock absorbing material will completely cover the horizontal baseboards on climbing units. This protective surfacing must extend a **minimum** of 6 ft. (1.828m) in all directions from the perimeter of the equipment or from the outermost edges of any component. For example, a slide extending beyond the platform must have protective surfacing at least 6 ft. (1.828m) out from both sides as well as the end. For swings, the protective surface must extend **at least 14 ft. (6m)** out from **both** the back and front of the swing when the swing is in its rest position.

Notes:

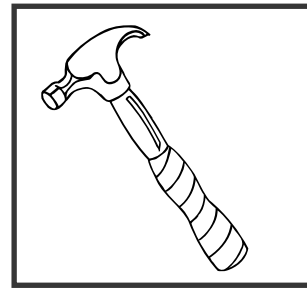
TOOLS REQUIRED



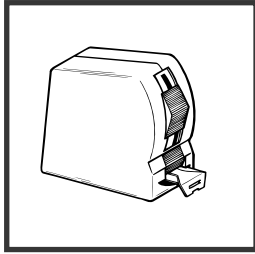
ELECTRIC DRILL



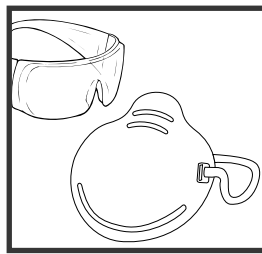
1/2" SOCKET & WRENCH



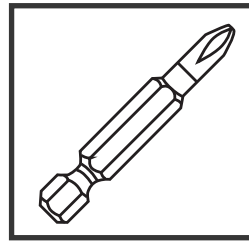
HAMMER



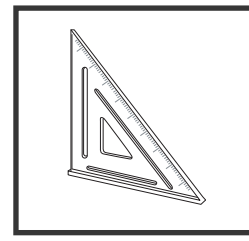
TAPE MEASURE



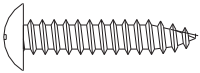
**SAFETY GLASSES
& DUST MASK**



PHILLIPS BIT



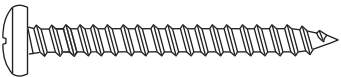
CARPENTER'S SQUARE



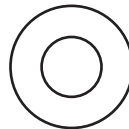
(3) 1" Truss Head Screw



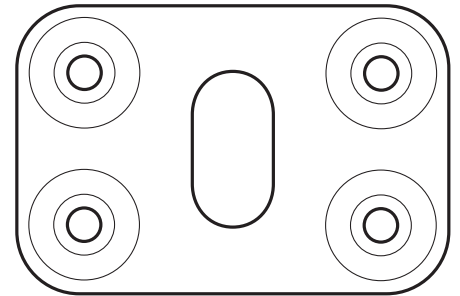
(10) Loc-Washer



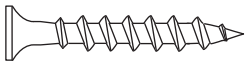
(2) 1-3/4" Panhead Screw



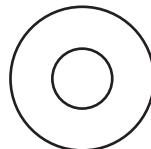
(10) 8mm Washer



(4) Slotted Beam Clamp



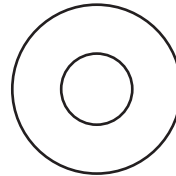
(18) 1-1/4" Wood Screw



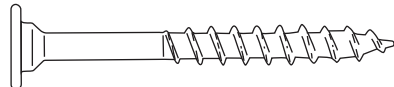
(2) 1/4" Flat Washer



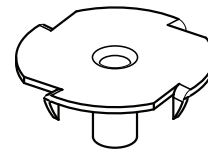
(178) 2-1/2" Wood Screw



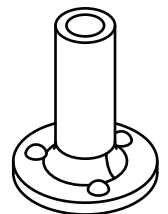
(10) 5/16" Flat Washer



(16) 2" Lag Screw



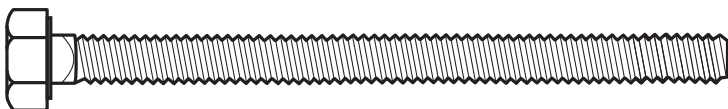
(10) T-Nut



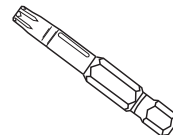
(10) Weld Nut



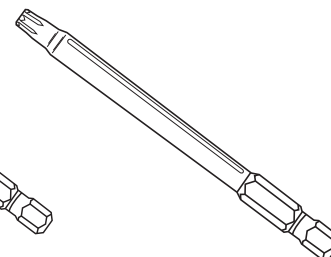
(10) 1/4" x 1-1/2" Hex Head Bolt



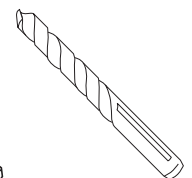
(6) 5/16" x 3-1/2" Hex Head Bolt



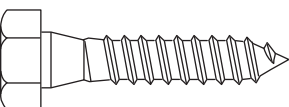
(1) T20 Torx® Bit



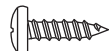
(1) T30 Torx® Bit



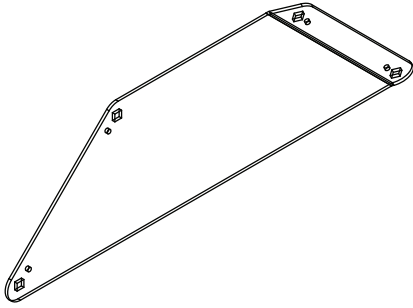
(1) 3/8" DRILL BIT



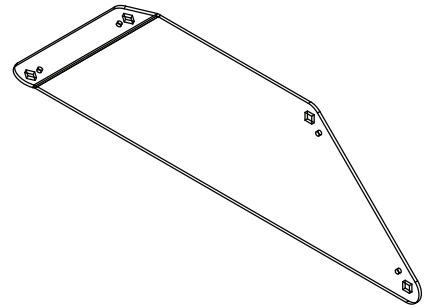
(4) 1-1/2" Lag Bolt



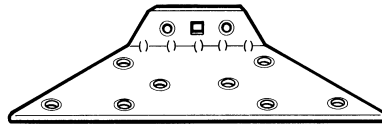
(2) 1/2" Panhead Screw



(2) EZ Frame Brace (R)



(2) EZ Frame Brace (L)



(6) EZ Frame Brackets



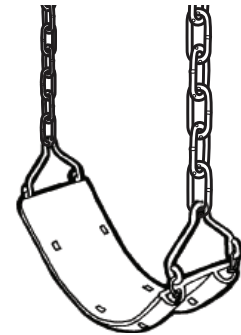
(1) Name Plate

THIS PRODUCT IS
INTENDED FOR USE
BY CHILDREN FROM
AGES 2-10 YEARS

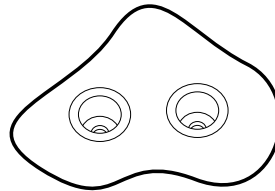
For Home / Residential
Use ONLY

Swing-N-Slide

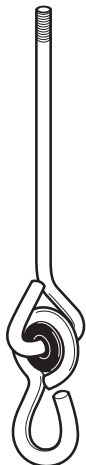
1212 Barbary Drive
Janesville, WI 53545
1-800-888-1232
www.swing-n-slide.com



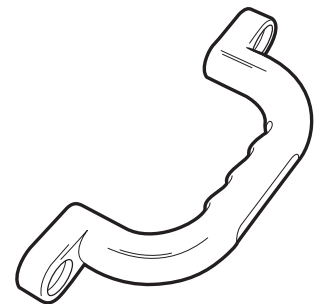
(2) Swing Seat
weight limit: 115 lbs.



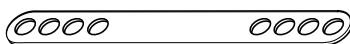
(5) Climbing Rocks
With Hardware



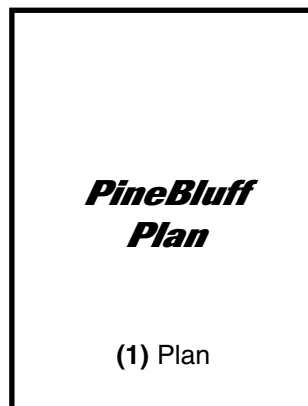
(4) Swing Hangers



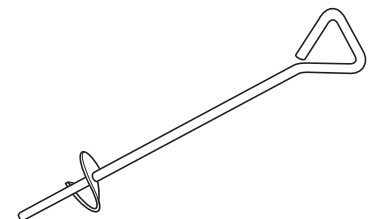
(1) Safety Handle



(4) Anchor-It Straps



(1) Plan



(4) Anchor-It

PineBluff Board List

17-1/4"

(1) 2" x 4" x 17-1/4"

23-1/2"

(2) 2" x 4" x 23-1/2"

25"

(2) 2" x 4" x 25"

35"

(1) 2" x 4" x 35"

47-1/2"

(3) 2" x 4" x 47-1/2"

28"

(8) 5/4" x 6" x 28"

35"

(6) 5/4" x 6" x 35"

PURCHASED SEPARATELY

96"

(6) 4" x 4" x 96"

120"

(1) 4" x 4" x 120"

NOMINAL MATERIAL SIZE

LISTED SIZE		TRUE SIZE	
English(*)	Metric(Cm)	English(*)	Metric(Cm)
1x4	2.5x7.6	3/4x3-1/2	1.9x9
1x6	2.5x15.3	3/4x5-1/2	1.9x14
5/4x4	3.2x10.2	1x3-1/2	2.5x9
5/4x6	3.2x15.3	1x5-1/2	2.5x14
2x2	5x5	1-1/2x1-1/2	3.8x3.8
2x3	5x7.6	1-1/2x2-1/2	3.8x6.4
2x4	5x10	1-1/2x3-1/2	3.8x9
2x6	5x15.3	1-1/2x5-1/2	3.8x14
3x3	7.6x7.6	3x3	7.6x7.6
4x4	10x10	3-1/2x3-1/2	9x9

(*) Estimated Sizing Due to Cutting Process

How to select the correct fastener

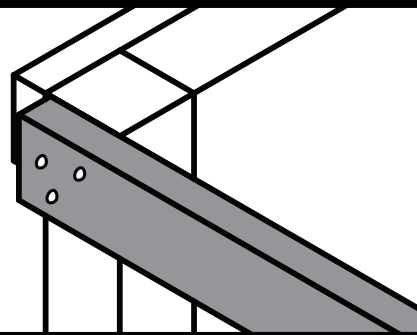
Use these 2 pictorial guides to help select the correct fastener(s) for the lumber attachment you are making. Each diagram will highlight the correct number of fasteners to use, and where to attach them.

2" x 4" or 5/4" x 6" to 4" x 4"



(3) 2-1/2" screws

Apply 2 1/2" screws to the 2"x4" boards when attaching to 4"x4" uprights.



5/4" x 6" to 2" x 4"



(2) 2" screws

Use 2" screws when mounting 5/4" boards to 2"x4" boards.

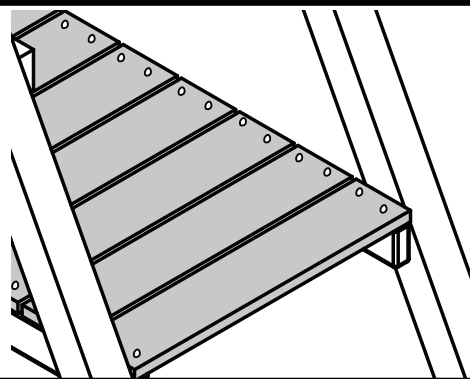
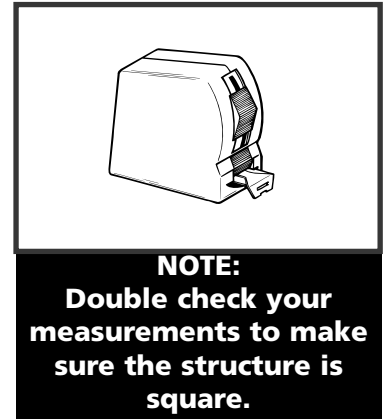
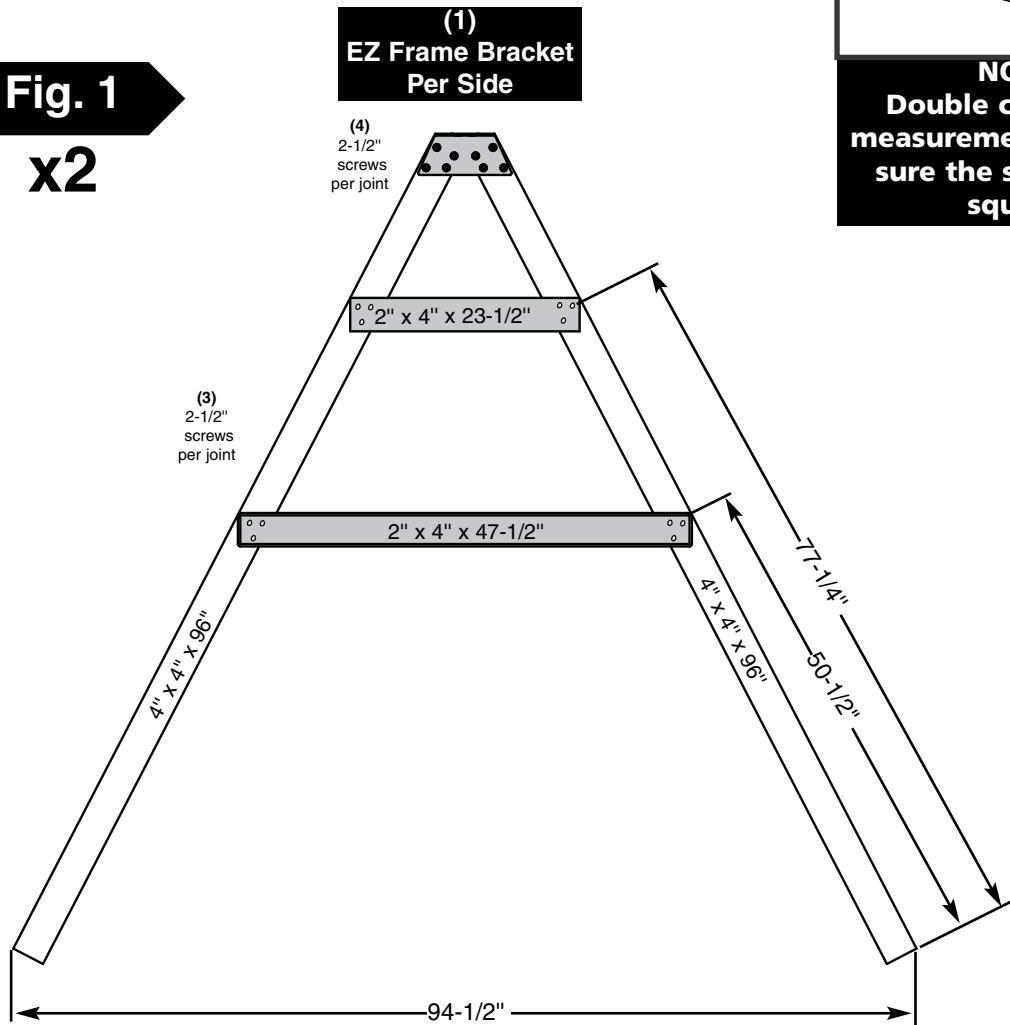


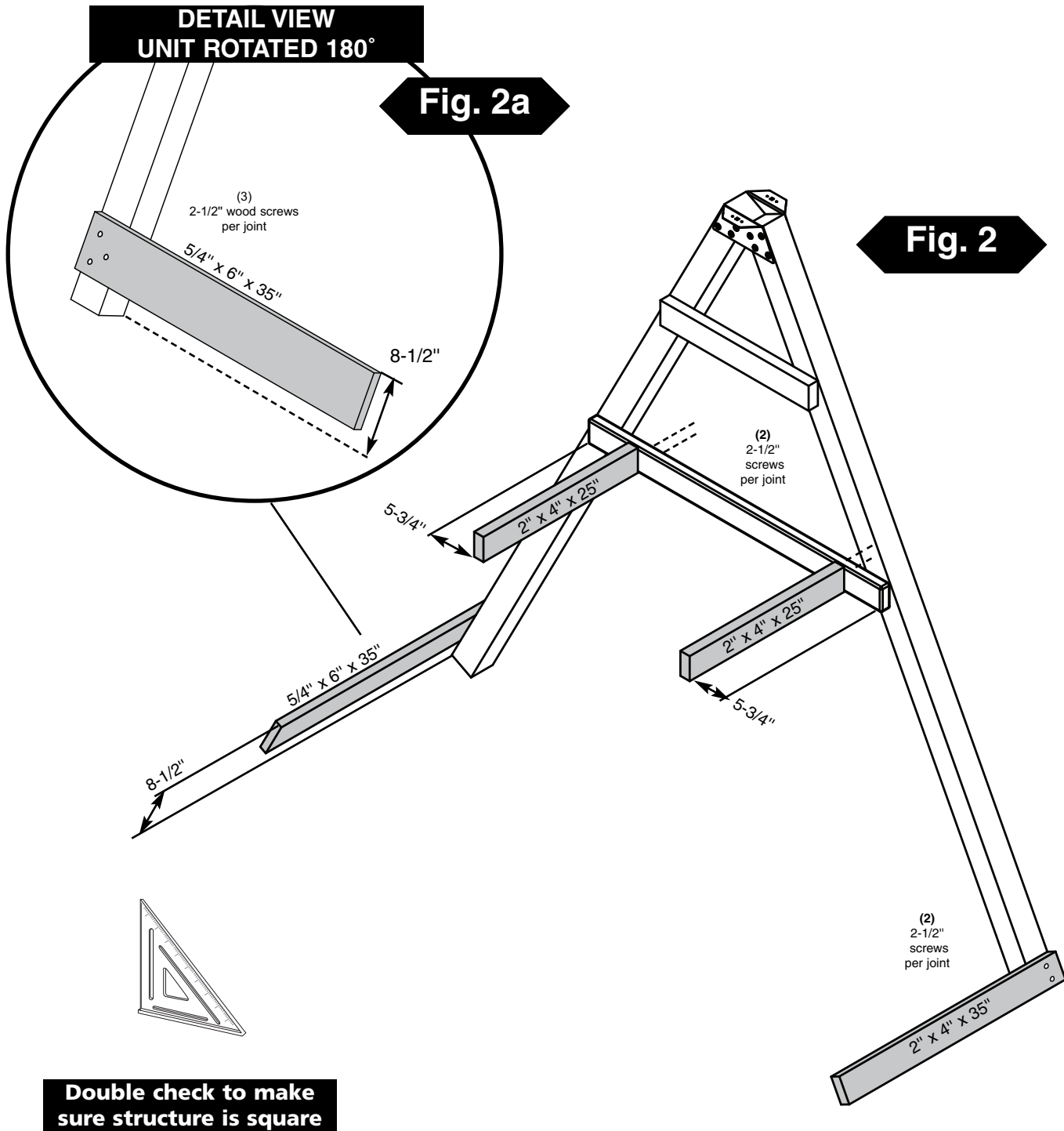
Fig. 1
x2



2-1/2" Wood Screw

Frame Assembly:

1. Install 2' x 4' boards as shown in **(Fig. 1)**.



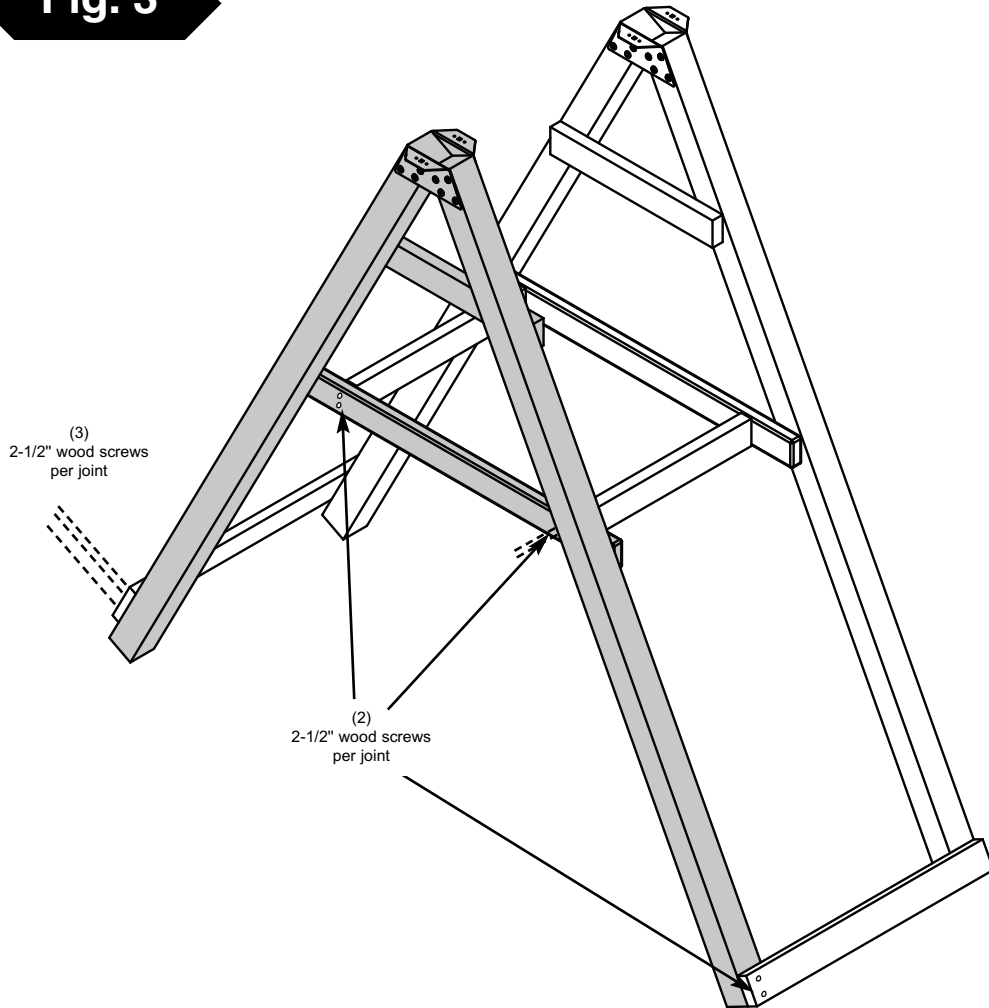
Install Frame Braces:

1. Install (1) 5/4" x 6", and (3) 2" x 4" boards as shown in **(Fig. 2)**, and **(Fig. 2a)**.



2-1/2" Wood Screw

Fig. 3

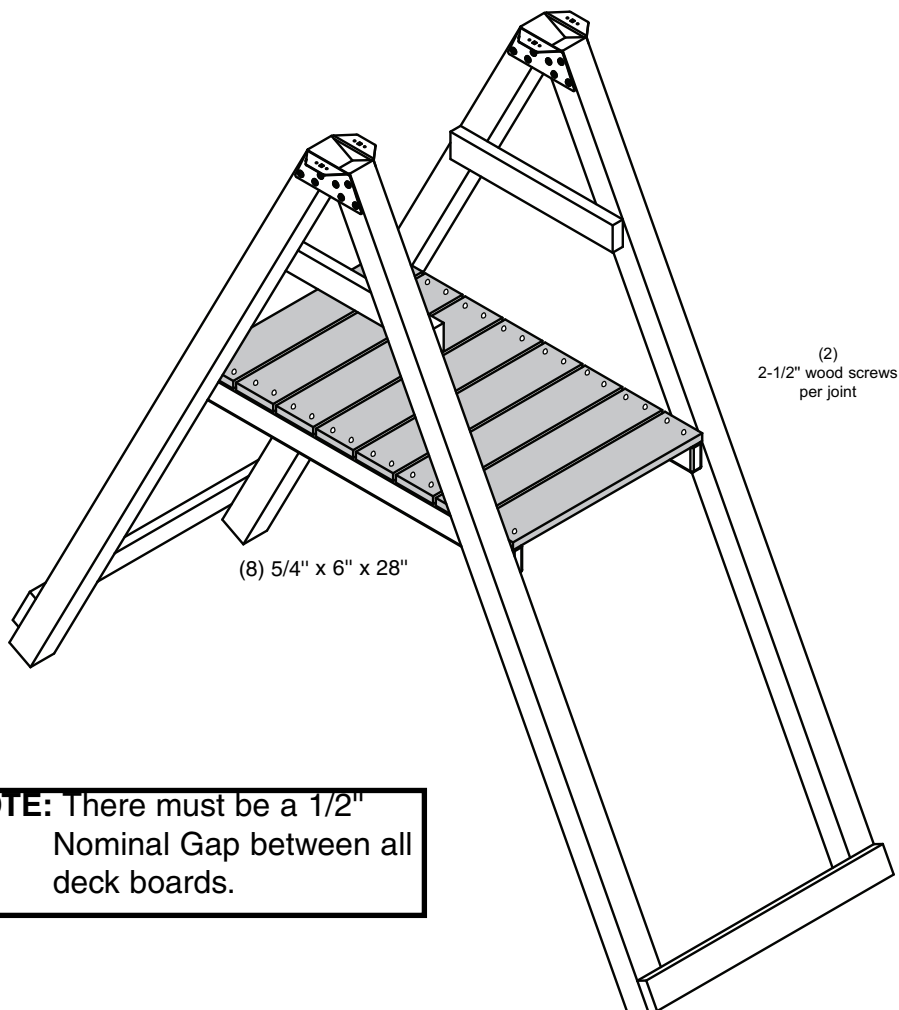


2-1/2" Wood Screw

Platform Assembly:

1. Lift second half of Platform and secure in place in (4) locations as shown in **(Fig. 3)**.

Fig. 4

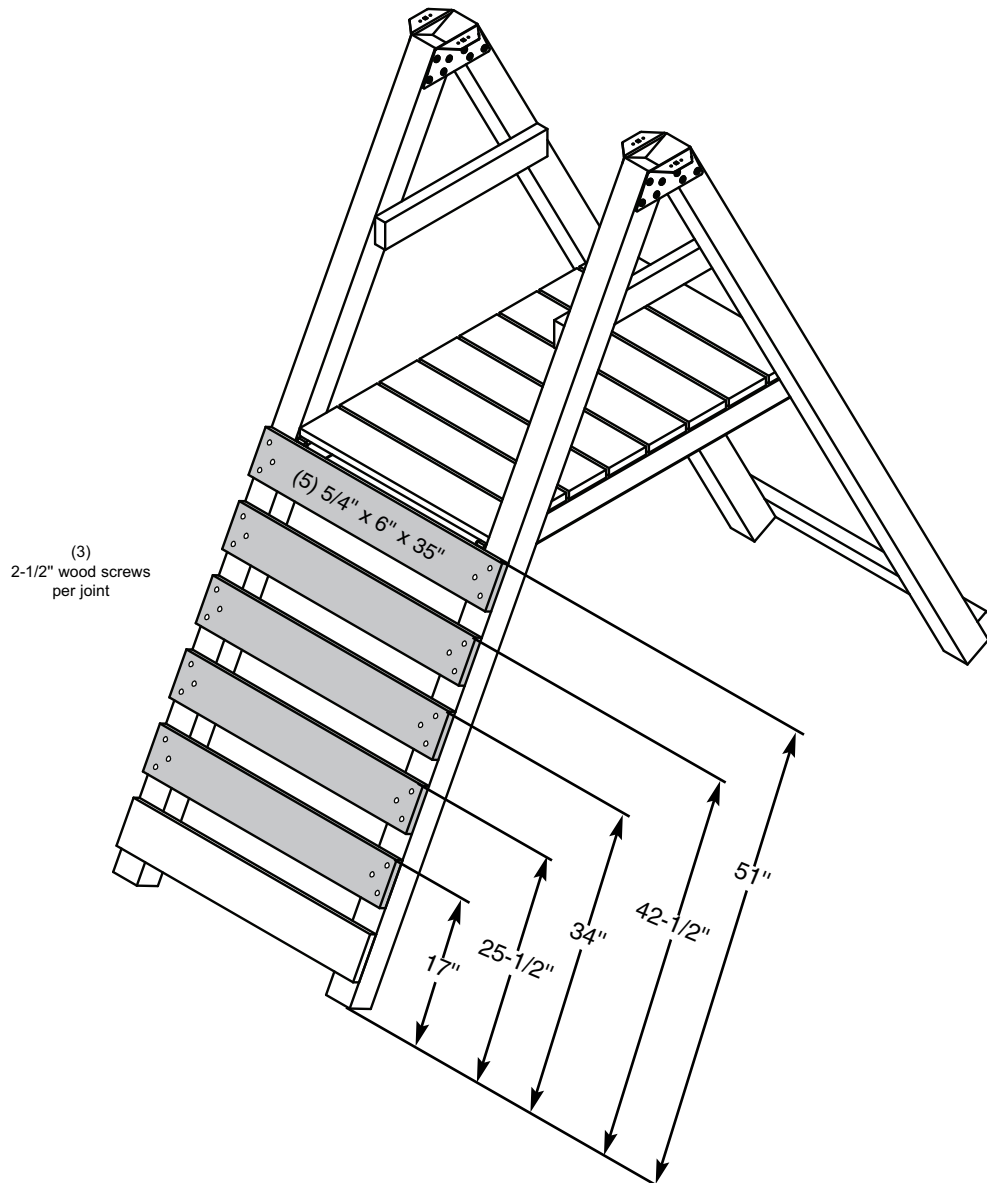


2-1/2" Wood Screw

Install Deck:

1. Install Deck boards, evenly spaced with a 1/2" Gap, as shown in **(Fig. 4)**.

Fig. 5

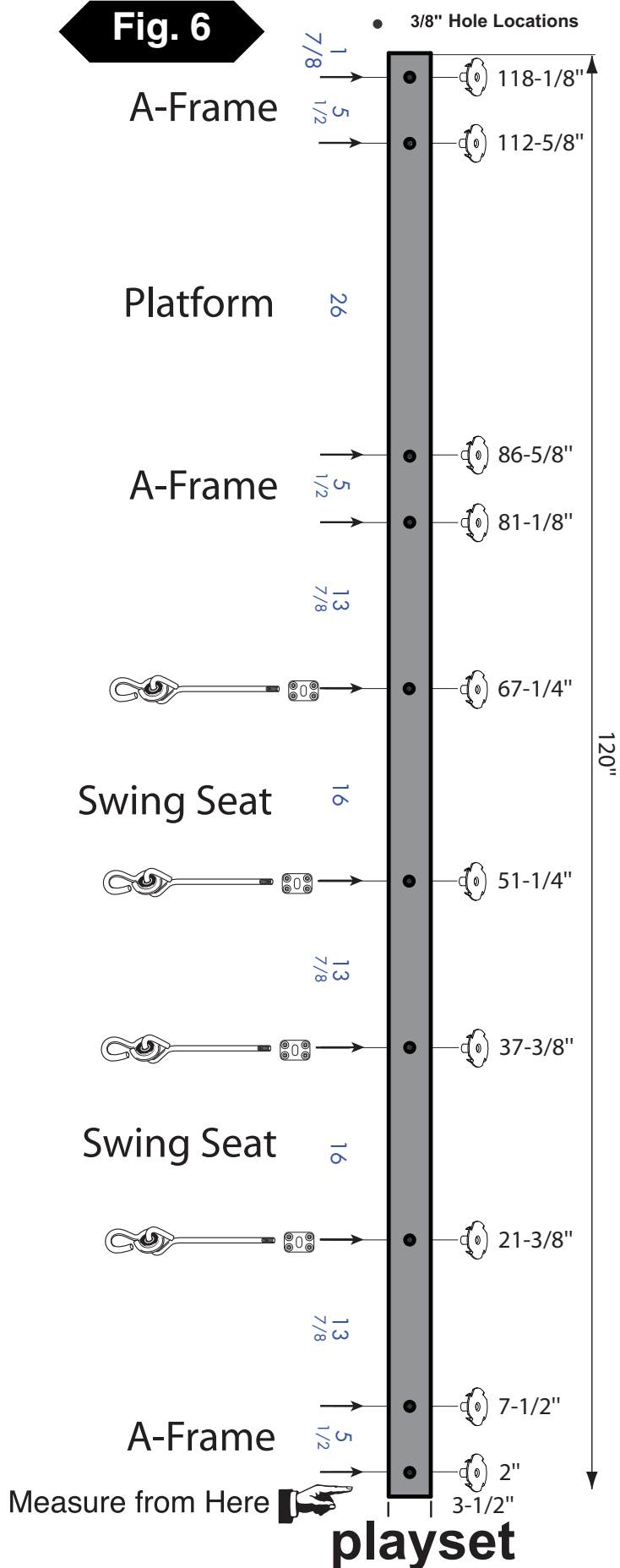


2-1/2" Wood Screw

Install Rock Wall Rungs:

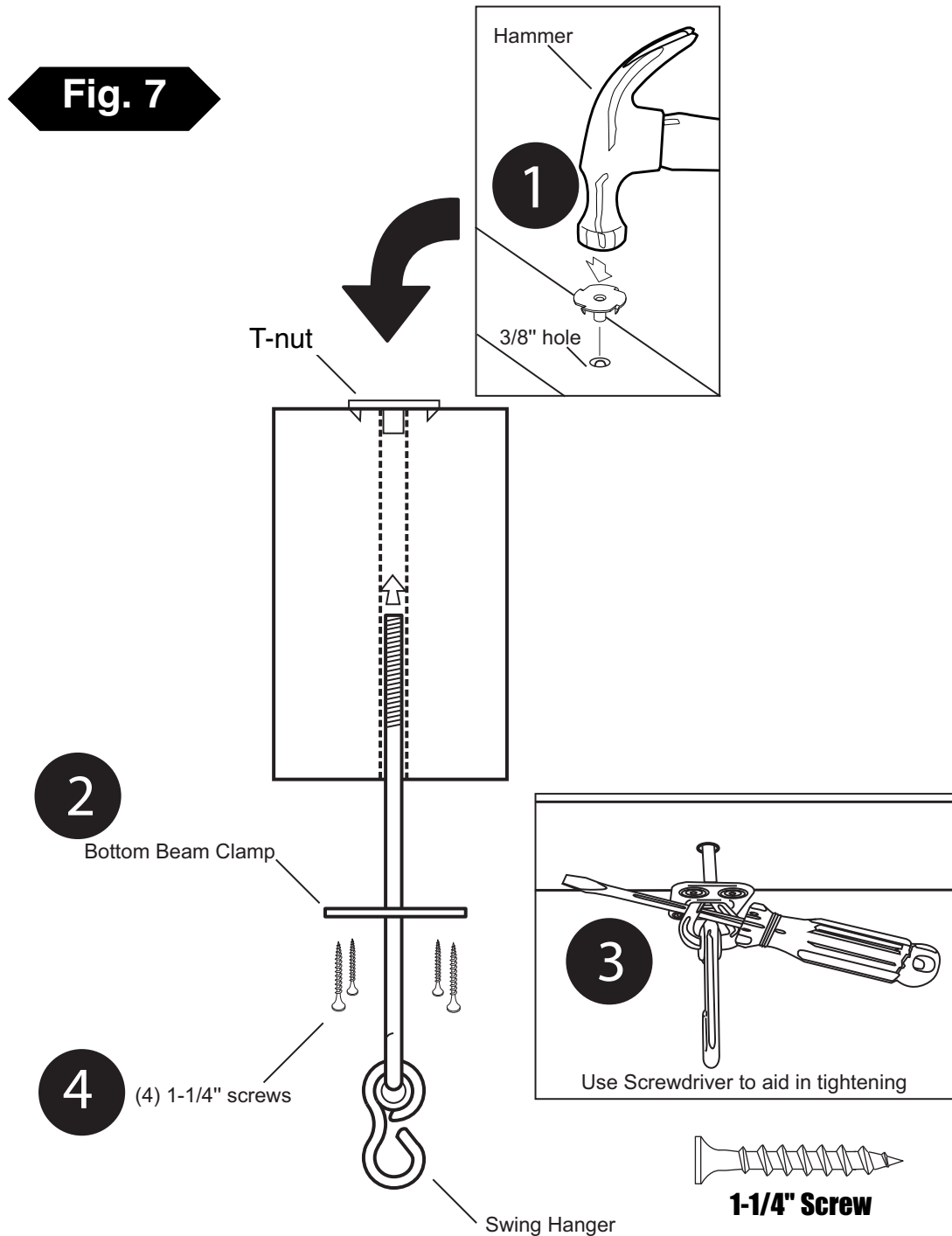
1. Install 5/4" x 6" Rock Wall Rungs as shown in **(Fig. 5)**.

Fig. 6



Swing Beam Hole Locations

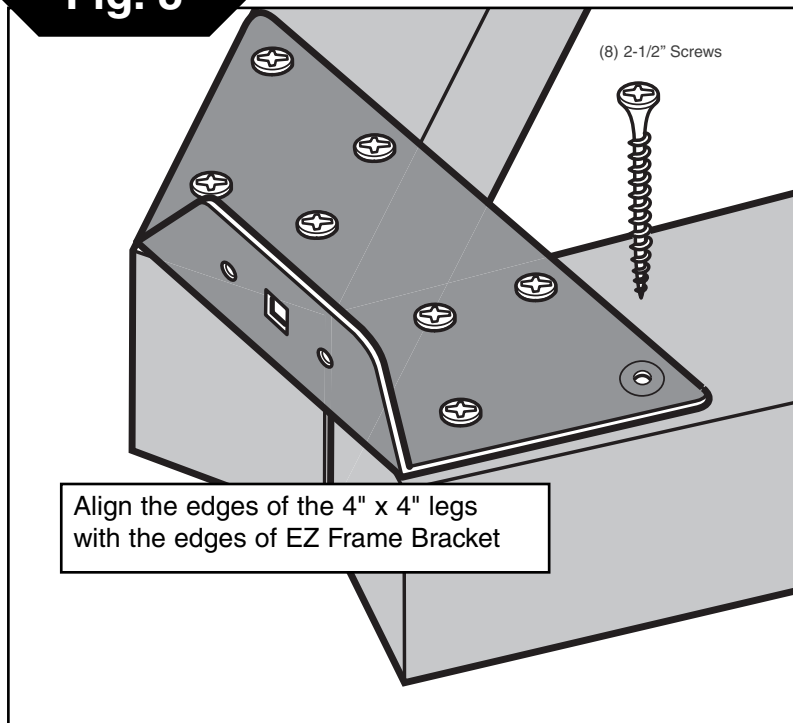
1. Install Swing Hangers into swing beam at locations shown in **(Fig. 6)**.



E. Swing Beam Drill Locations

1. Tap T-nut into 3/8" hole as shown in **(Fig. 7)**.
2. Place a bottom beam clamp over the swing hanger as shown in **(Fig. 7)**.
3. Insert the swing hanger into the beam and thread it into the T-nut until it is flush or near flush with the top of the T-nut. A screwdriver may be used to twist the hanger **(Fig. 7)**. Orient swing hanger as shown in **(Fig 7)**.
4. Use (4) 1-1/4" screws to secure beam clamp.
5. Check hanger to ensure it does not spin.
6. Repeat for all four hangers.

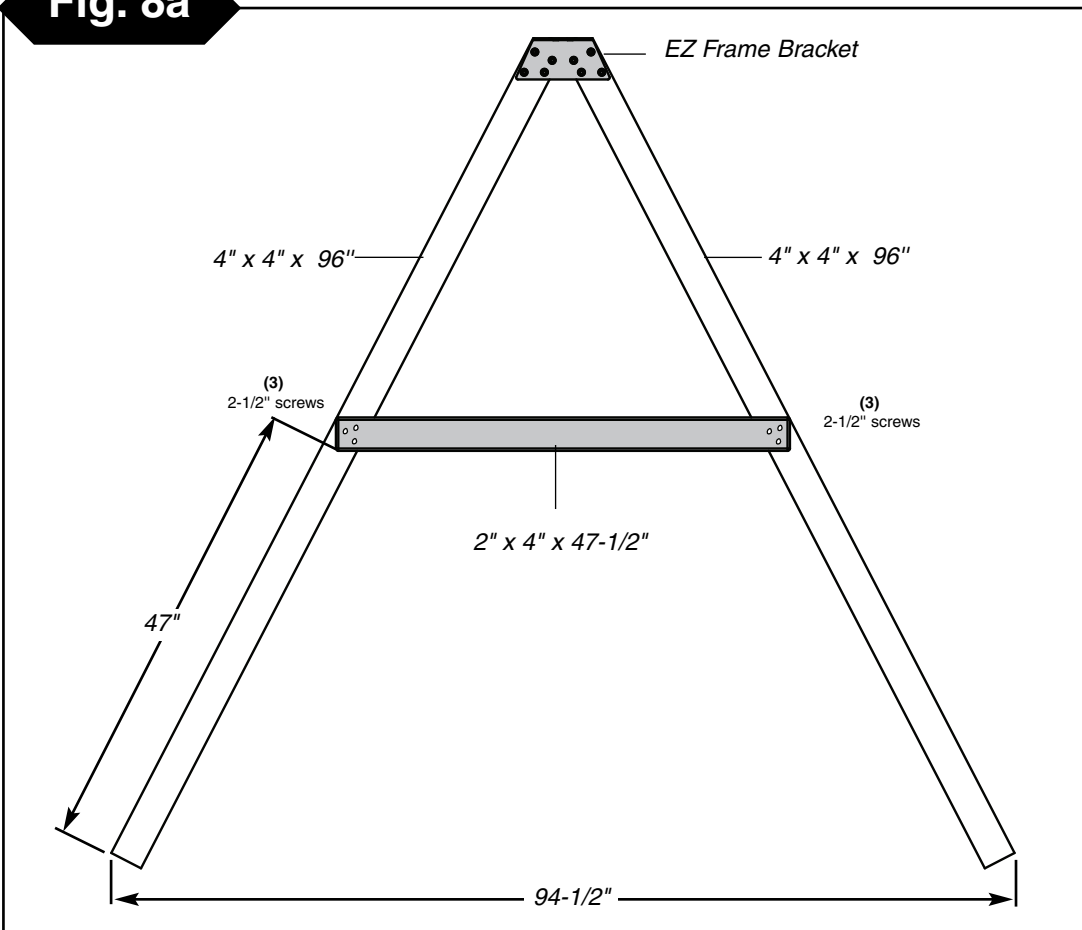
Fig. 8



A-Frame Assembly

1. layout 4" x 4"s and 2" x 4" as shown in (Fig. 8).
2. Align EZ Frame Bracket with face of 4" x 4"s.
3. Secure EZ Frame Bracket with (8) 2-1/2" screws to 4" x 4"s making sure they are flush with each other.
4. Secure 2" x 4" to 4" x 4"s as shown in (Fig. 8a).
5. Flip over and add 2nd bracket. Repeat steps 2 and 3.

Fig. 8a



2-1/2" Wood Screw



Fig. 9

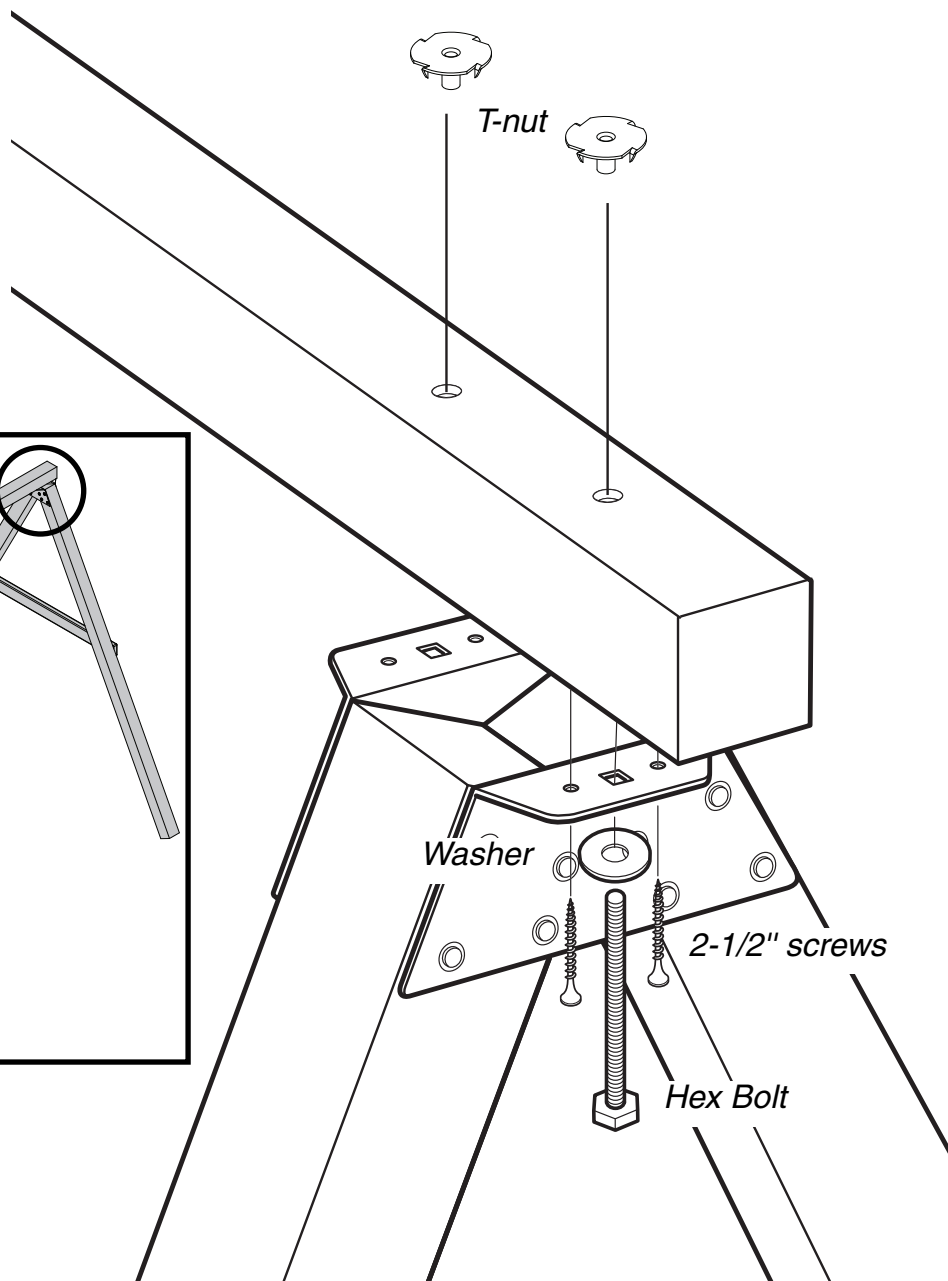
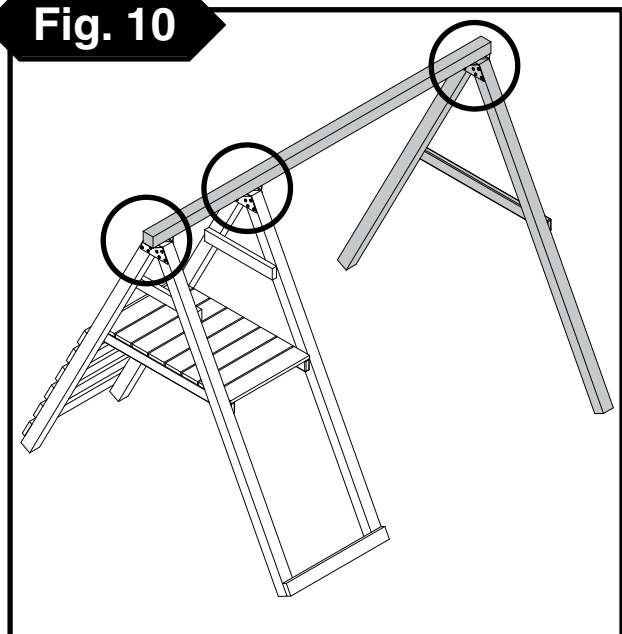
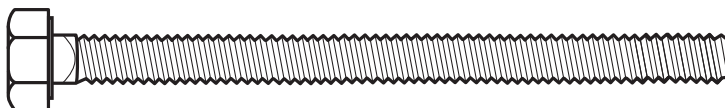


Fig. 10



3-1/2" Hex Bolt



2-1/2" Wood Screw

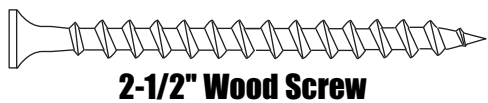
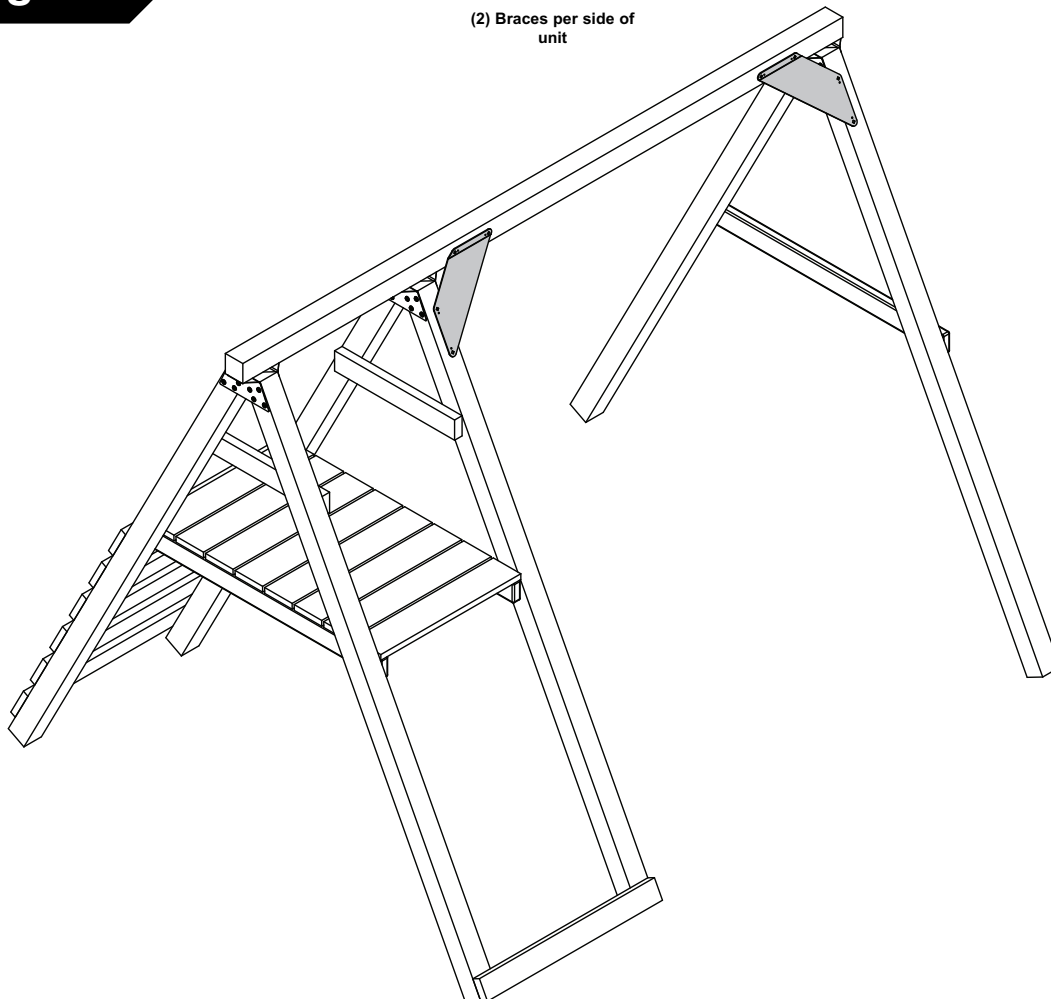


A-Frame Assembly cont.

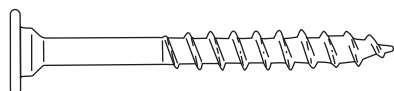
1. Attach A-Frame to Swing Beam using (2) hex bolts and 4 screws as shown in **(Fig. 9)**.
2. Tighten hex bolt to flush with top of T-nut. Repeat on second bracket.
3. Repeat steps 1 & 2 to attach Swing Beam Assembly to the Deck, as shown in **(Fig. 10)**.

Fig. 11

- (4)
2" Lag Screws
AND
- (4)
2-1/2" wood screws
per Brace
- (2) Braces per side of
unit



2-1/2" Wood Screw



2" Lag Screw

Install EZ-Frame Braces:

1. Install (2) EZ-Frame Braces per side of the units as shown in (Fig. 11).

Slide Installation.

1. Install Slide centered in the provided opening as shown in (Fig. 12).
2. Attach Stake to end of slide as shown in (12a).

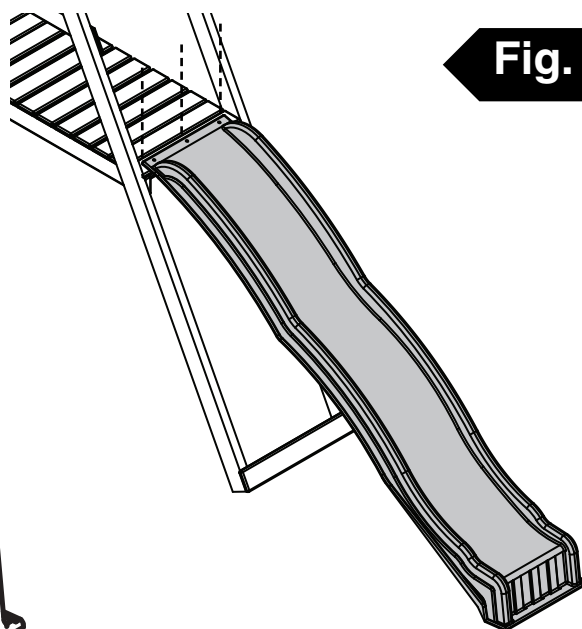
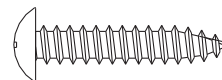
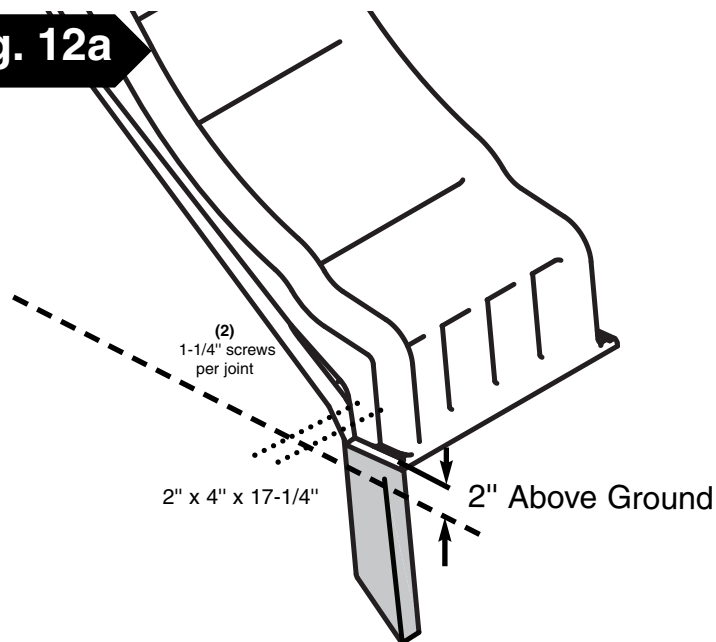


Fig. 12

Fig. 12a

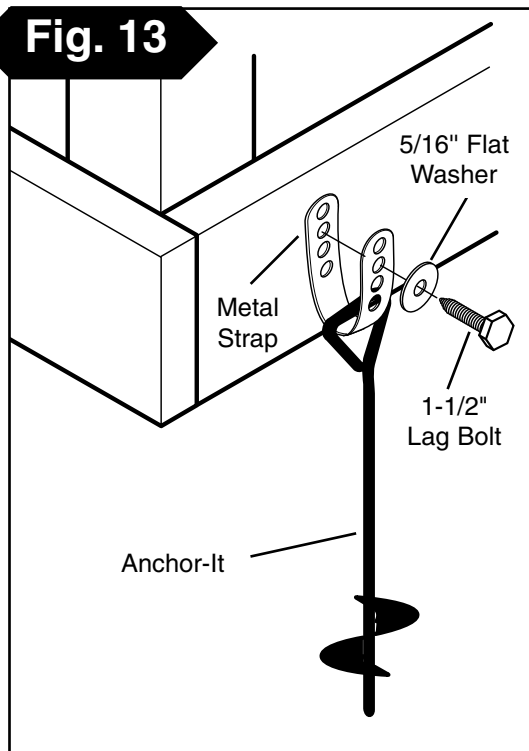


1" Truss Screw

Use truss head screws to secure slide to deck.

Anchor-It

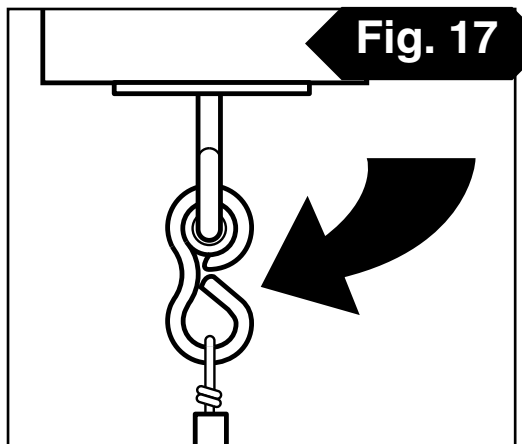
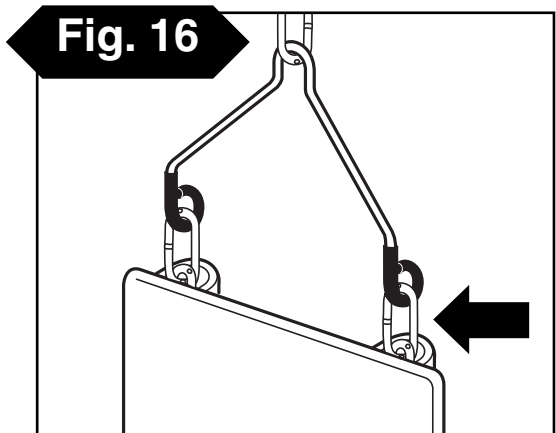
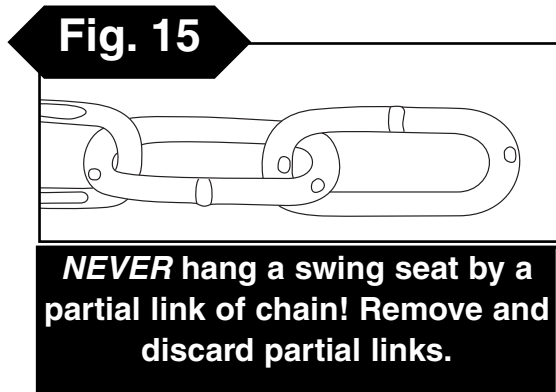
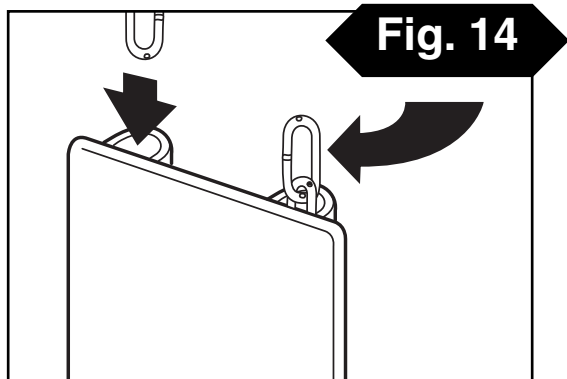
Fig. 13



Anchor-It Installation.

Instructions for Anchoring Swing•N•Slide Activity Centers

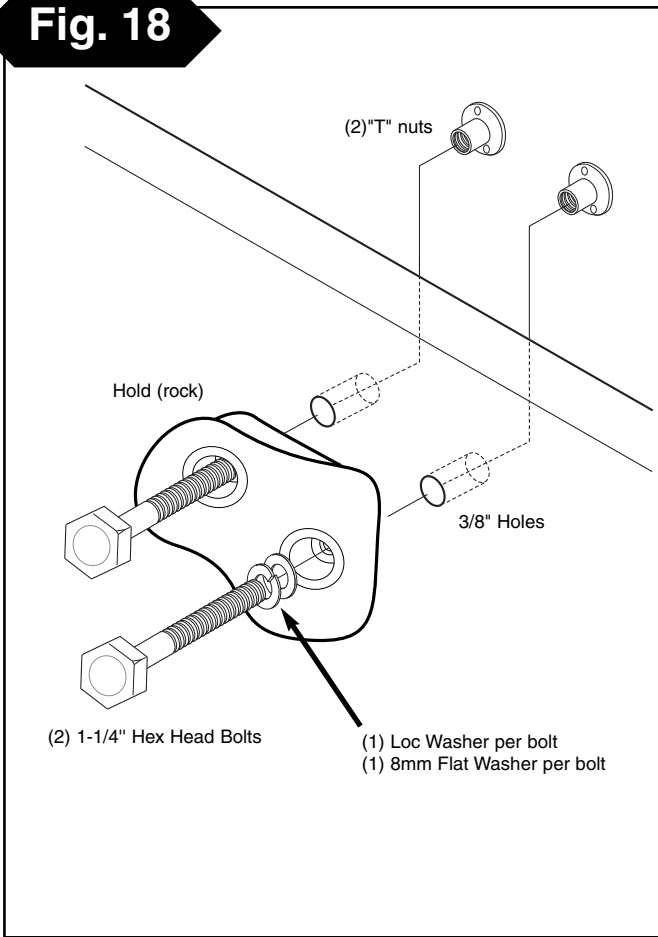
1. Determine the final location of your activity center.
2. Place the Anchor-It stakes adjacent to the base and near the corners of your activity center (at the bottom of the legs on swing sets) and twist the auger-style stakes into the ground until only the loop is exposed.
3. Place the metal strap through the loop of the Anchor-It stake and secure it to the unit with a lag screw and washer as illustrated to the right. Note: Attach the strap to the unit with as little play as possible using whatever holes in the strap that work best.



Swing Seat Assembly.

1. Hold the swing seat vertically and insert uncoated chains through the channels on the bottom of the swing seat. **Note:** A coat hanger may be used to help pull chain through the swing seat. One full link should show at each end of the seat (**Fig. 14**).
2. Place one covered chain onto each harness so that it fits at the top of the V-hanger. Insert uncoated chains to bottom vinyl hooks of V-hanger. (**Fig. 16**). Crimp harness end closed. **CAUTION: It is important that you crimp harness ends completely closed before using (see Fig. 17).** Place end of harness with hooks on a hard surface and force hooks closed with a hammer or squeeze closed with a pliers until parts are touching. **WARNING: Open hooks can cause deep cuts.**
3. Hang the chains from the nylon bushing swing hangers. Crimp the hook opening closed with a pliers to secure the chains to the swing hangers (**Fig. 17**). Make sure all connections are tightly crimped and secure before using swing seat.

Fig. 18



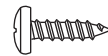
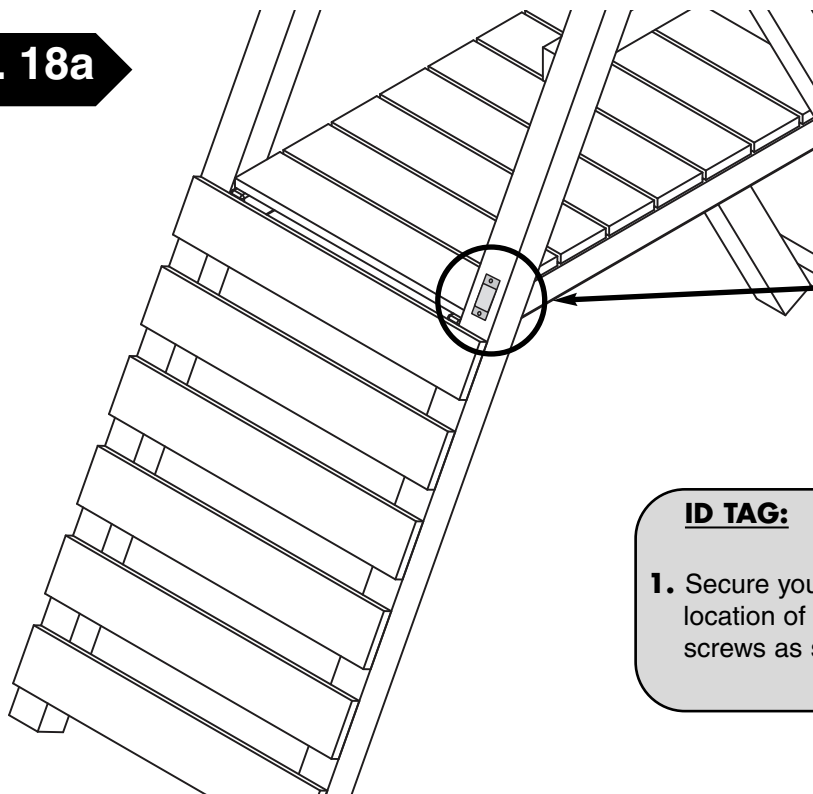
Climbing Rock Installation

1. Mark locations of Climbing Rocks on the Climbing Wall in a pattern that will easily allow your child to climb to the deck. Make sure the bolt hole locations are clear of wall supports before drilling.
2. Drill holes through the wall at the desired locations using a 3/8" drill bit. Install Climbing Rocks as shown in (Fig. 18).
3. Make sure the Climbing Wall and Climbing Rock connections are secure before allowing any children to play on the Climbing Wall.

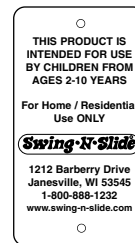
Note: Refer to Page 12, (Fig. 5) for Rock Wall construction.

ID TAG

Fig. 18a



1/2" Pan Head Screw

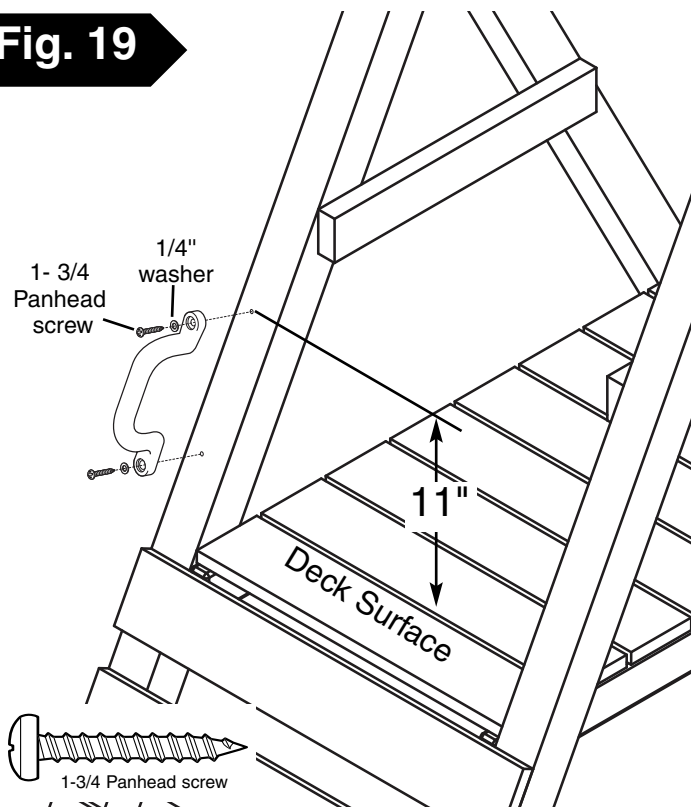


ID TAG:

1. Secure your product ID tag onto easy to read location of any 4" x 4" using (2) 1/2" Pan Head screws as shown in (Fig. 18a).

Safety Handle

Fig. 19



Safety Handle:

1. Mount safety handle in the climber openings approximately 11" above the deck surface (**Fig. 19**).

Questions???
Call our Customer Service Department
at 1-800-888-1232

Swing-N-Slide[®]

We Put Kids First.